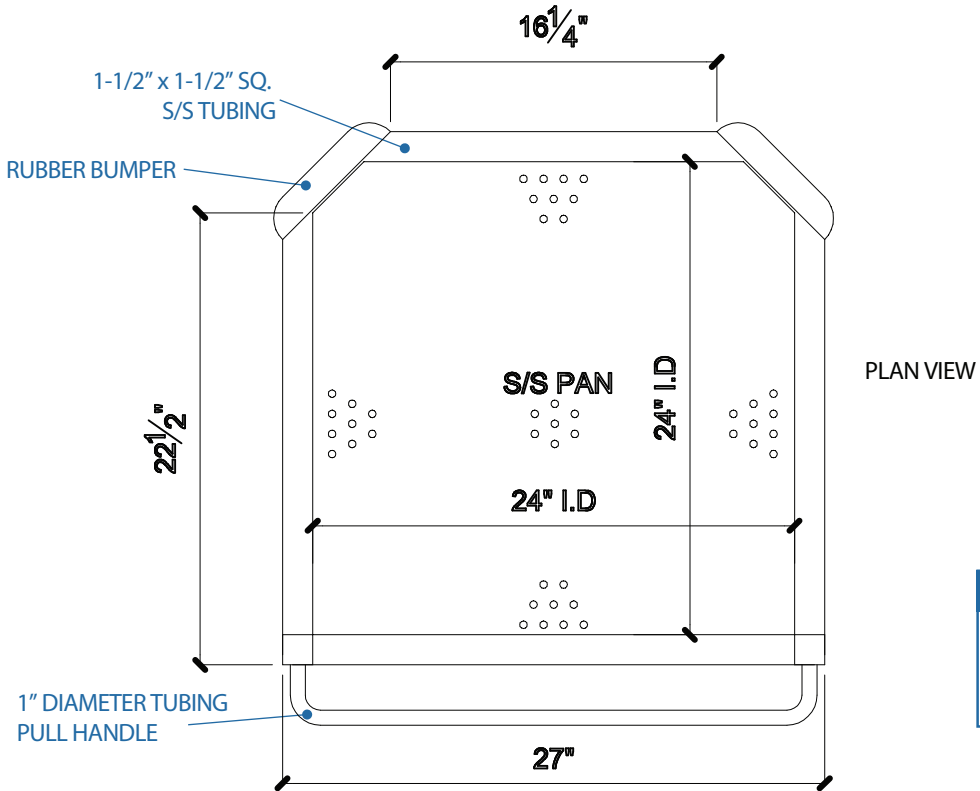
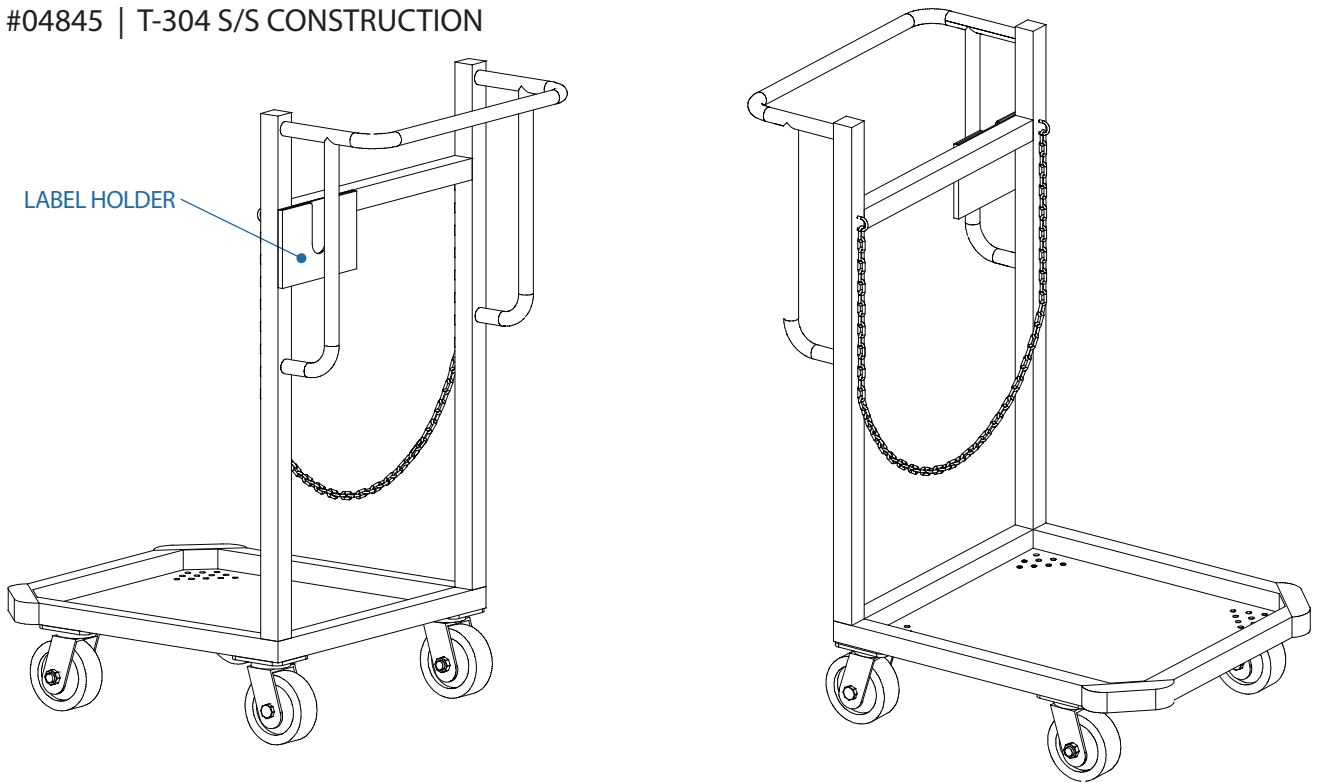


Made in the US since 1941

# CARBONATE CART

DWG #04845 | T-304 S/S CONSTRUCTION



OPTIONS	
<input type="checkbox"/>	T-316 AVAILABLE
<input type="checkbox"/>	CHAIN
<input type="checkbox"/>	BRAIDED / COATED CABLE

USE FOR ARCHITECT / ENGINEER / CONTRACTOR APPROVAL

Job name \_\_\_\_\_

Date \_\_\_\_\_ QTY \_\_\_\_\_ Contractor \_\_\_\_\_

Model No. \_\_\_\_\_ Customer \_\_\_\_\_ Architect/Engineer \_\_\_\_\_



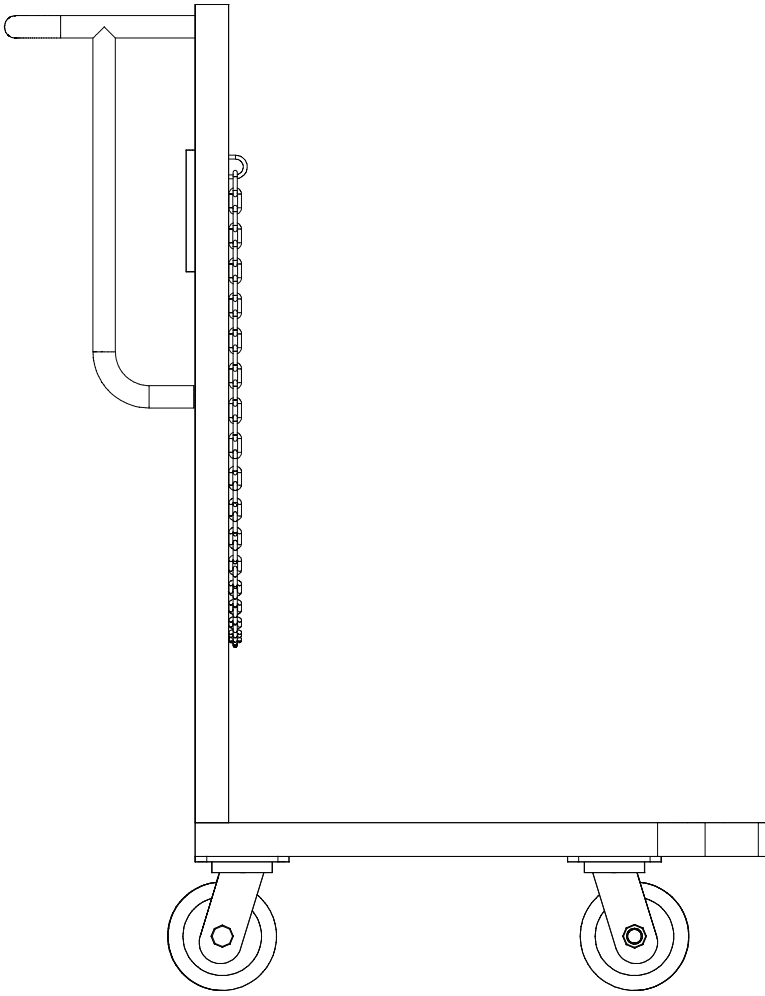
## Performance Through Stainless!

43 South Linden Ave South San Francisco CA 94080 Ph (650) 589-4231 Fax (650) 589-3981 www.berlinusa.com

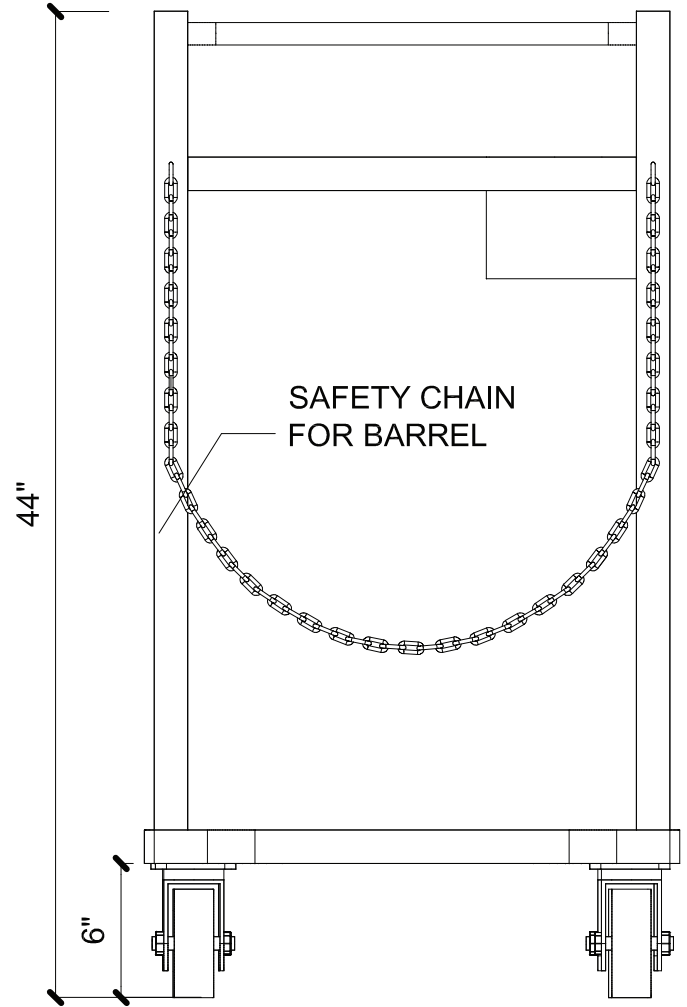
Made in the US since 1941

# CARBONATE CART

DWG #04845 | T-304 S/S CONSTRUCTION



SIDE VIEW



FRONT VIEW

USE FOR ARCHITECT / ENGINEER / CONTRACTOR APPROVAL

Job name \_\_\_\_\_

Date \_\_\_\_\_ QTY \_\_\_\_\_ Contractor \_\_\_\_\_

Model No. \_\_\_\_\_ Customer \_\_\_\_\_ Architect/Engineer \_\_\_\_\_



Performance Through Stainless!

43 South Linden Ave South San Francisco CA 94080 Ph (650) 589-4231 Fax (650) 589-3981 www.berlinusa.com