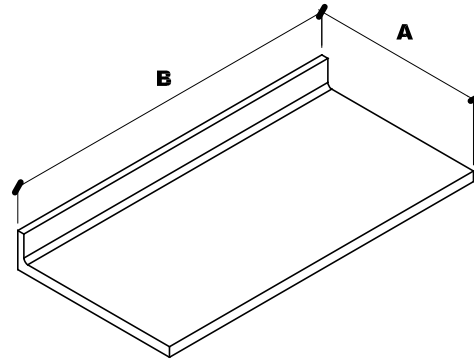
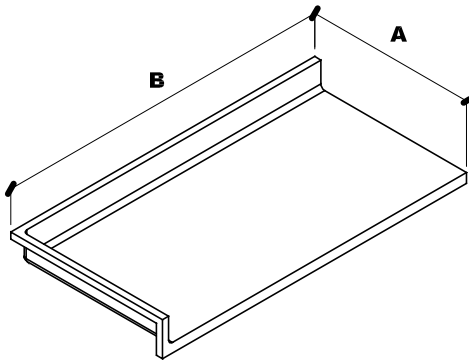


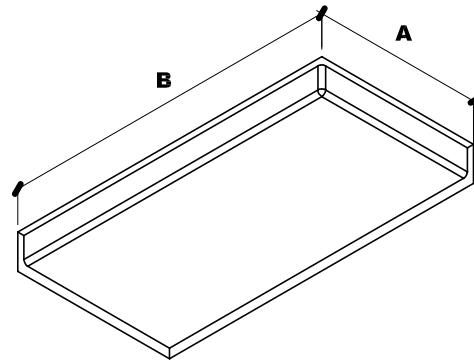
NO SPLASH



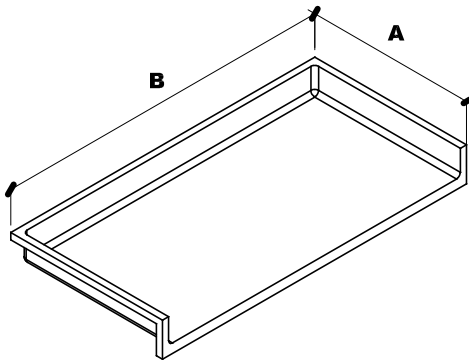
BACK SPLASH ONLY



BACK & LEFT SPLASH



BACK & RIGHT SPLASH



BACK, LEFT & RIGHT SPLASH



MADE IN
 THE U.S.A
 CERTIFIED
 TO ANSI

USE FOR ARCHITECT / ENGINEER / CONTRACTOR APPROVAL

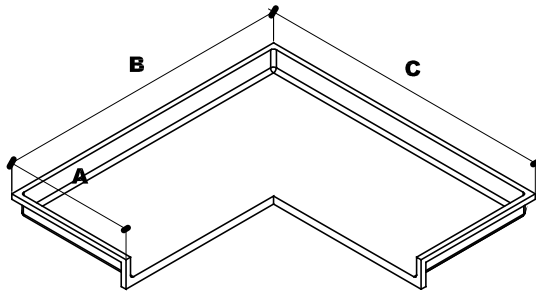
JOB NAME _____ DATE _____

MODEL No. _____ QTY _____

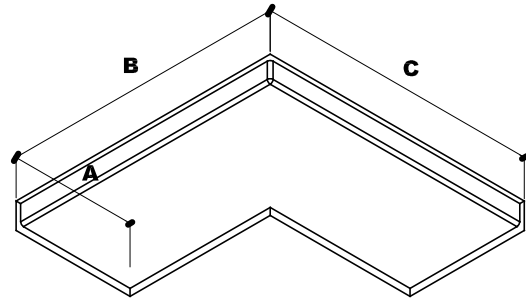
CUSTOMER _____

CONTRACTOR _____

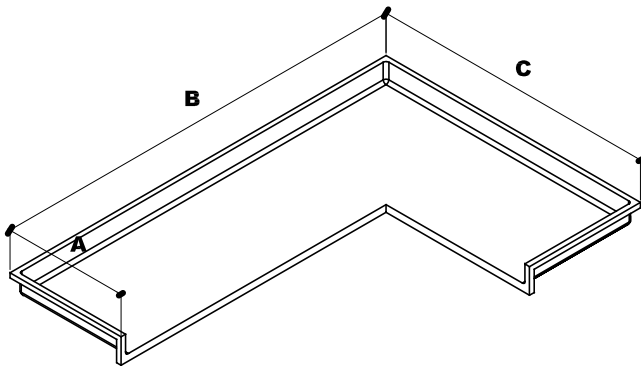
ARCHITECT / ENGINEER _____



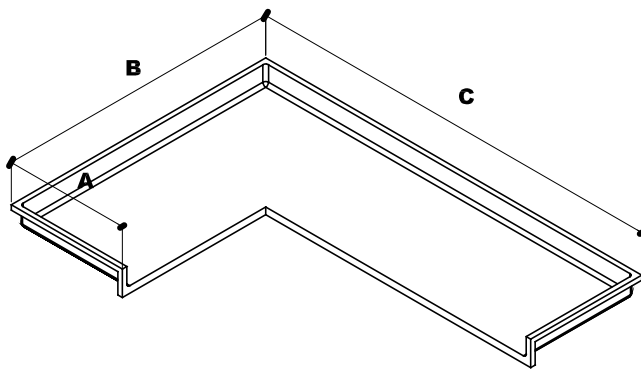
INSIDE CORNER FULL SPLASH



INSIDE CORNER
 BACK SPLASH ONLY



INSIDE CORNER FULL SPLASH
 LONG LEFT LEG



INSIDE CORNER FULL SPLASH
 LONG RIGHT LEG



MADE IN
 THE U.S.A
 CERTIFIED
 TO ANS I

USE FOR ARCHITECT / ENGINEER / CONTRACTOR APPROVAL

JOB NAME _____ DATE _____

MODEL No. _____ QTY _____

CUSTOMER _____

CONTRACTOR _____

ARCHITECT / ENGINEER _____