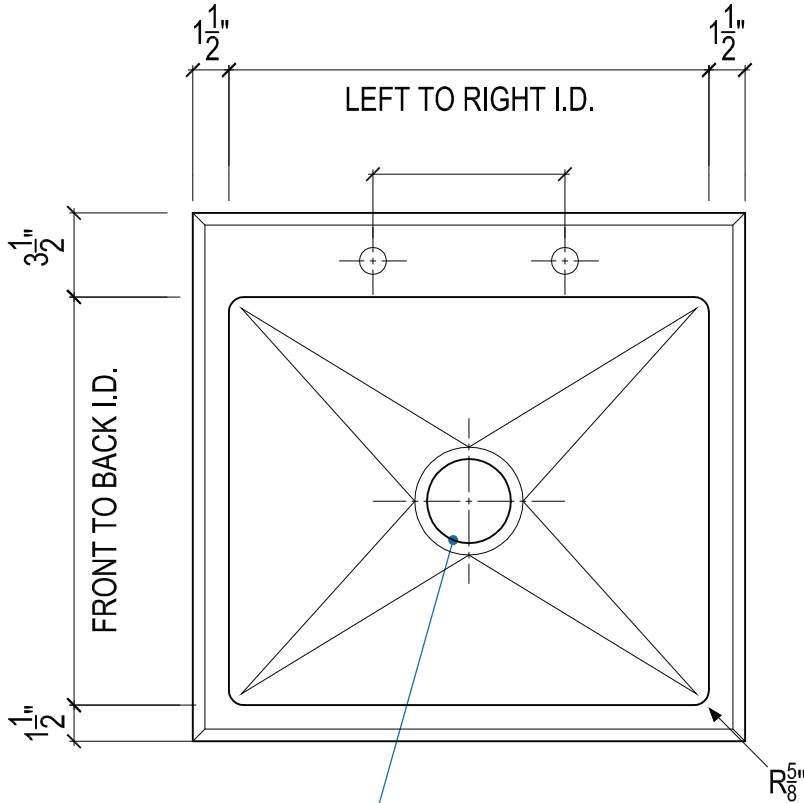


STAINLESS STEEL DROP IN SINK WITH FAUCET DECK

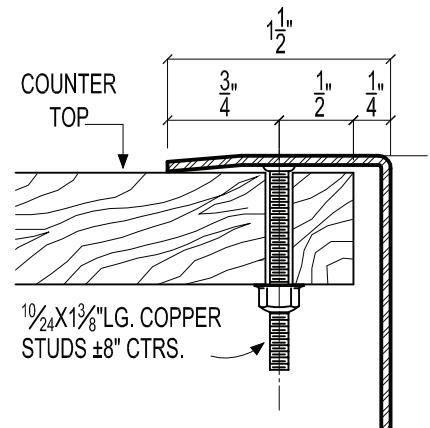
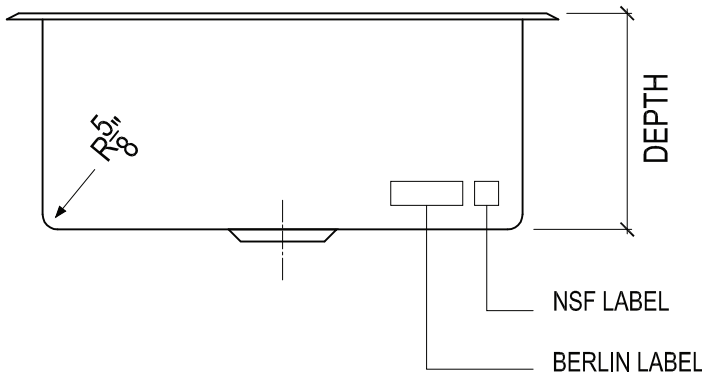
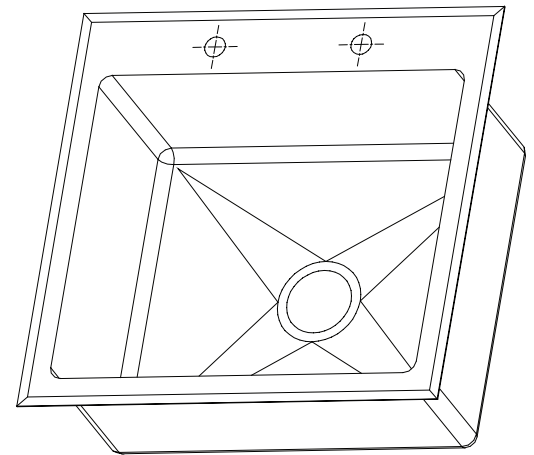
T-304 N.S.F.
CONSTRUCTION



3-1/2" DIAMETER
DRAIN OPENING
(CENTERED BOTH WAYS)

SPECIFICATIONS	
-16 GAUGE, T-304 STAINLESS STEEL	
-#4 FINISH I.D.	
-DROP IN SINK	
-BUILT TO COMPLY WITH NSF STD 2	

OPTIONS	
<input type="checkbox"/>	3-1/2" BASKET DRAIN
<input type="checkbox"/>	SOUND DEADENED



USE FOR ARCHITECT / ENGINEER / CONTRACTOR APPROVAL

Job name _____

Date _____ QTY _____ Contractor _____

Model No. _____ Customer _____ Architect/Engineer _____



Performance Through Stainless!