

HARD MAPLE PREP WORKTABLES



CROSSBRACED GTRX SERIES			WITH UNDERSHELF GTS SERIES			BACK & SIDE SPLASHES GTRS SERIES			BACK/SIDE SPLASHES W/UNDERSHELF GTSX SERIES		
MODEL #	NET WT.	PRICE	MODEL #	NET WT.	PRICE	MODEL #	NET WT.	PRICE	MODEL #	NET WT.	PRICE
2GTRX - 24	45 #	631	2GTS - 24	52 #	711	2GTRS - 24	46 #	804	2GTSX - 24	53 #	849
2GTRX - 30	49 #	697	2GTS - 30	60 #	753	2GTRS - 30	50 #	837	2GTSX - 30	61 #	894
2GTRX - 36	53 #	729	2GTS - 36	67 #	798	2GTRS - 36	53 #	873	2GTSX - 36	68 #	938
3GTRX - 24	53 #	757	3GTS - 24	67 #	802	3GTRS - 24	55 #	903	3GTSX - 24	69 #	948
3GTRX - 30	60 #	803	3GTS - 30	78 #	871	3GTRS - 30	61 #	951	3GTSX - 30	80 #	1017
3GTRX - 36	66 #	849	3GTS - 36	88 #	936	3GTRS - 36	67 #	995	3GTSX - 36	90 #	1082
4GTRX - 24	61 #	852	4GTS - 24	82 #	897	4GTRS - 24	64 #	1005	4GTSX - 24	85 #	1047
4GTRX - 30	70 #	912	4GTS - 30	95 #	983	4GTRS - 30	73 #	1061	4GTSX - 30	98 #	1136
4GTRX - 36	78 #	968	4GTS - 36	108 #	1073	4GTRS - 36	81 #	1121	4GTSX - 36	111 #	1211
5GTRX - 24	72 #	888	5GTS - 24	98 #	995	5GTRS - 24	76 #	1043	5GTSX - 24	101 #	1148
5GTRX - 30	82 #	957	5GTS - 30	116 #	1103	5GTRS - 30	86 #	1112	5GTSX - 30	118 #	1259
5GTRX - 36	92 #	1026	5GTS - 36	133 #	1211	5GTRS - 36	95 #	1181	5GTSX - 36	134 #	1366
6GTRX - 24	83 #	921	6GTS - 24	113 #	1091	6GTRS - 24	87 #	1080	6GTSX - 24	117 #	1250
6GTRX - 30	95 #	1002	6GTS - 30	133 #	1220	6GTRS - 30	98 #	1160	6GTSX - 30	137 #	1379
6GTRX - 36	106 #	1082	6GTS - 36	153 #	1349	6GTRS - 36	109 #	1241	6GTSX - 36	156 #	1498
7GTRX - 24	103 #	1205	7GTS - 24	138 #	1394	7GTRS - 24	107 #	1370	7GTSX - 24	142 #	1558
7GTRX - 30	117 #	1304	7GTS - 30	161 #	1546	7GTRS - 30	119 #	1465	7GTSX - 30	165 #	1708
7GTRX - 36	131 #	1400	7GTS - 36	184 #	1699	7GTRS - 36	131 #	1561	7GTSX - 36	188 #	1857
8GTRX - 24	114 #	1274	8GTS - 24	155 #	1492	8GTRS - 24	118 #	1441	8GTSX - 24	158 #	1659
8GTRX - 30	130 #	1381	8GTS - 30	181 #	1665	8GTRS - 30	133 #	1549	8GTSX - 30	185 #	1830
8GTRX - 36	146 #	1489	8GTS - 36	207 #	1835	8GTRS - 36	147 #	1656	8GTSX - 36	211 #	2003
9GTRX - 24	125 #	1342	9GTS - 24	170 #	1590	9GTRS - 24	130 #	1513	9GTSX - 24	175 #	1761
9GTRX - 30	133 #	1462	9GTS - 30	200 #	1783	9GTRS - 30	147 #	1633	9GTSX - 30	205 #	1953
9GTRX - 36	140 #	1581	9GTS - 36	230 #	1992	9GTRS - 36	163 #	1749	9GTSX - 36	234 #	2147
10GTRX - 24	135 #	1487	10GTS - 24	187 #	1689	10GTRS - 24	141 #	1585	10GTSX - 24	193 #	1863
10GTRX - 30	155 #	1540	10GTS - 30	220 #	1902	10GTRS - 30	161 #	1599	10GTSX - 30	225 #	2076
10GTRX - 36	175 #	1671	10GTS - 36	252 #	2114	10GTRS - 36	180 #	1845	10GTSX - 36	257 #	2287
11GTRX - 24	143 #	1553	11GTS - 24	199 #	1860	11GTRS - 24	149 #	1743	11GTSX - 24	206 #	2048
11GTRX - 30	164 #	1695	11GTS - 30	271 #	2093	11GTRS - 30	170 #	1887	11GTSX - 30	241 #	2284
11GTRX - 36	185 #	1839	11GTS - 36	290 #	2326	11GTRS - 36	191 #	2027	11GTSX - 36	275 #	2517
12GTRX - 24	150 #	1693	12GTS - 24	211 #	2027	12GTRS - 24	157 #	1902	12GTSX - 24	218 #	2237
12GTRX - 30	173 #	1848	12GTS - 30	269 #	2282	12GTRS - 30	179 #	2057	12GTSX - 30	255 #	2490
12GTRX - 36	195 #	2003	12GTS - 36	327 #	2538	12GTRS - 36	201 #	2213	12GTSX - 36	292 #	2745

OPTIONS

\$380.00	#4115-P	15 x 20	S/S ROLLER BEARING DRAWER W/ PLASTIC LINER	\$86.00	#4 ES 24" END SPLASH
\$480.00	#4115-S	15 x 20	S/S ROLLER BEARING DRAWER S/S LINER	\$96.00	#4 ES 30" END SPLASH
\$438.00	#AT-17	17 x 17	WELDED IN TUB, 3.5" BASKET DRAIN & 2 FAUCET HOLES	\$106.00	#4 ES 36" END SPLASH
\$212.00	#4-SC3		SET OF 4 CASTERS	AD 30%	ADDITIONAL S/S UNDERSHELF
\$268.00	#6-SC3		SET OF 6 CASTERS		

USE FOR ARCHITECT / ENGINEER / CONTRACTOR APPROVAL

Job name _____

Date _____ QTY _____ Contractor _____

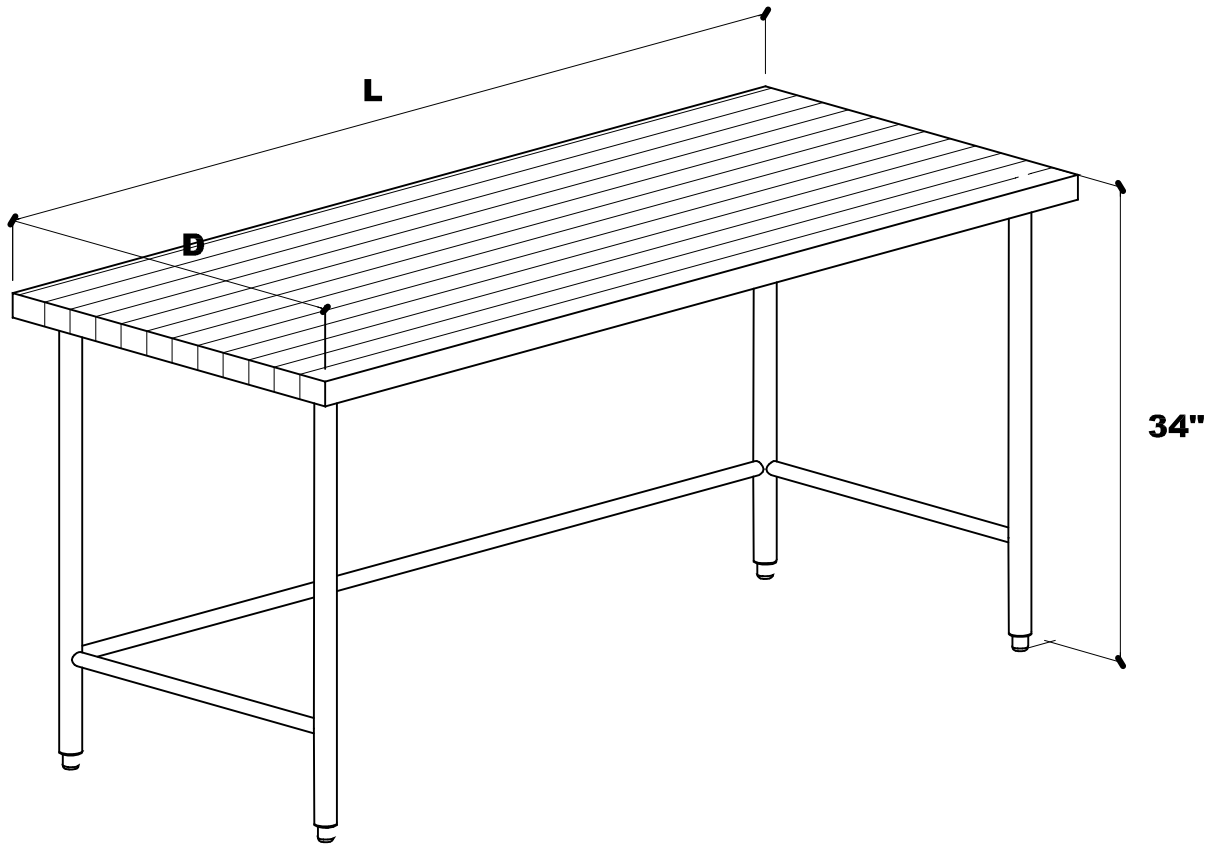
Model No. _____ Customer _____ Architect/Engineer _____



Performance Through Stainless!

BUTCHER BLOCK PREP WORKTABLES

CROSSBRACED - GTRSX SERIES



MODEL #	LENGTH (FT)	DEPTH (FT)	NET WT.	MODEL #	LENGTH (FT)	DEPTH (FT)	NET WT.	MODEL #	LENGTH (FT)	DEPTH (FT)	NET WT.
GTRSX	2	2	45	GTRSX	6	2	83	GTRSX	10	2	135
GTRSX	2	2.5	49	GTRSX	6	2.5	95	GTRSX	10	2.5	155
GTRSX	2	3	53	GTRSX	6	3	106	GTRSX	10	3	175
GTRSX	3	2	53	GTRSX	7	2	103	GTRSX	11	2	143
GTRSX	3	2.5	60	GTRSX	7	2.5	117	GTRSX	11	2.5	164
GTRSX	3	3	66	GTRSX	7	3	131	GTRSX	11	3	185
GTRSX	4	2	61	GTRSX	8	2	114	GTRSX	12	2	150
GTRSX	4	2.5	70	GTRSX	8	2.5	130	GTRSX	12	2.5	173
GTRSX	4	3	78	GTRSX	8	3	146	GTRSX	12	3	195
GTRSX	5	2	72	GTRSX	9	2	125				
GTRSX	5	2.5	82	GTRSX	9	2.5	133				
GTRSX	5	3	92	GTRSX	9	3	140				

USE FOR ARCHITECT / ENGINEER / CONTRACTOR APPROVAL

Job name _____

Date _____ QTY _____ Contractor _____

Model No. _____ Customer _____ Architect/Engineer _____



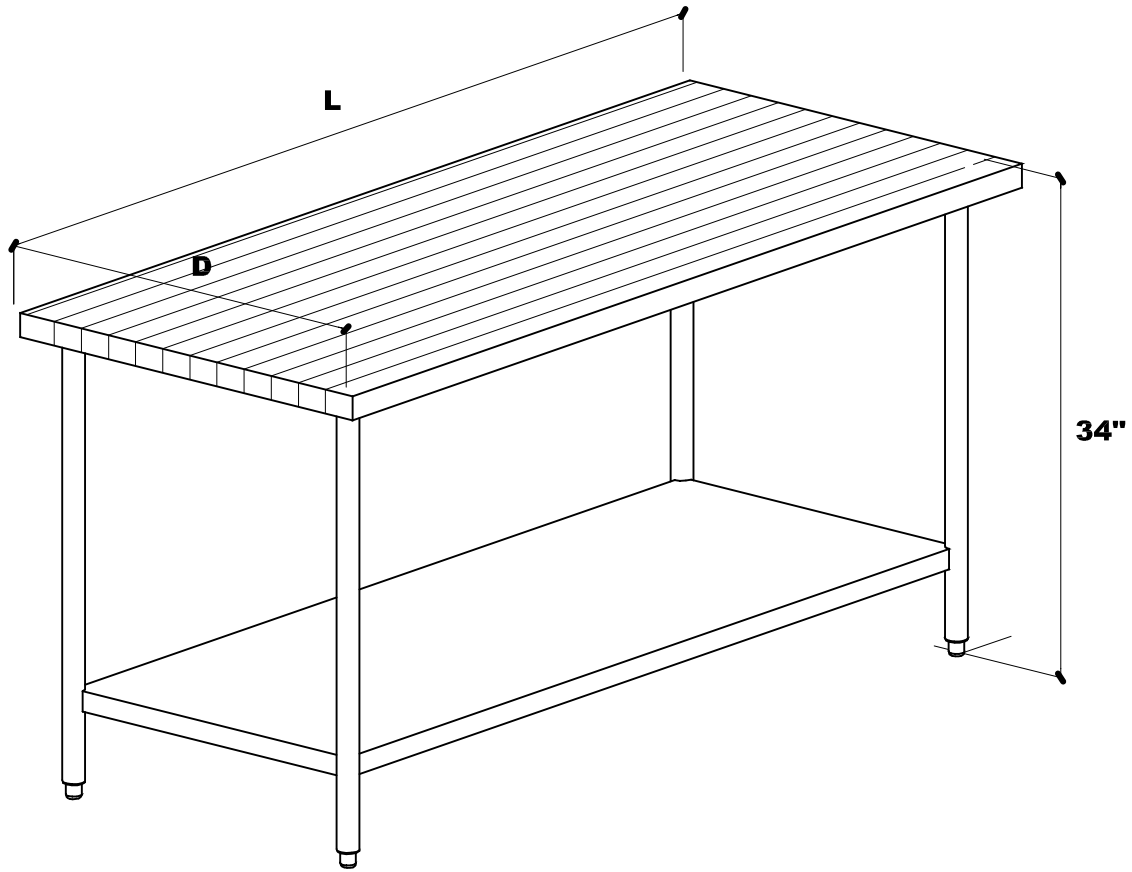
Performance Through Stainless!

Made in the US since 1941

BUTCHER BLOCK PREP WORKTABLES

WITH UNDERSHELF - GTS SERIES

T-304 N.S.F.
CONSTRUCTION



MODEL #	LENGTH (FT)	DEPTH (FT)	NET WT.	MODEL #	LENGTH (FT)	DEPTH (FT)	NET WT.	MODEL #	LENGTH (FT)	DEPTH (FT)	NET WT.
GTS	2	2	52	GTS	6	2	113	GTS	10	2	187
GTS	2	2.5	60	GTS	6	2.5	133	GTS	10	2.5	220
GTS	2	3	67	GTS	6	3	153	GTS	10	3	252
GTS	3	2	67	GTS	7	2	138	GTS	11	2	199
GTS	3	2.5	78	GTS	7	2.5	161	GTS	11	2.5	271
GTS	3	3	88	GTS	7	3	184	GTS	11	3	290
GTS	4	2	82	GTS	8	2	155	GTS	12	2	211
GTS	4	2.5	95	GTS	8	2.5	181	GTS	12	2.5	269
GTS	4	3	108	GTS	8	3	207	GTS	12	3	327
GTS	5	2	98	GTS	9	2	170				
GTS	5	2.5	116	GTS	9	2.5	200				
GTS	5	3	133	GTS	9	3	230				

USE FOR ARCHITECT / ENGINEER / CONTRACTOR APPROVAL

Job name _____

Date _____ QTY _____ Contractor _____

Model No. _____ Customer _____ Architect/Engineer _____



Performance Through Stainless!

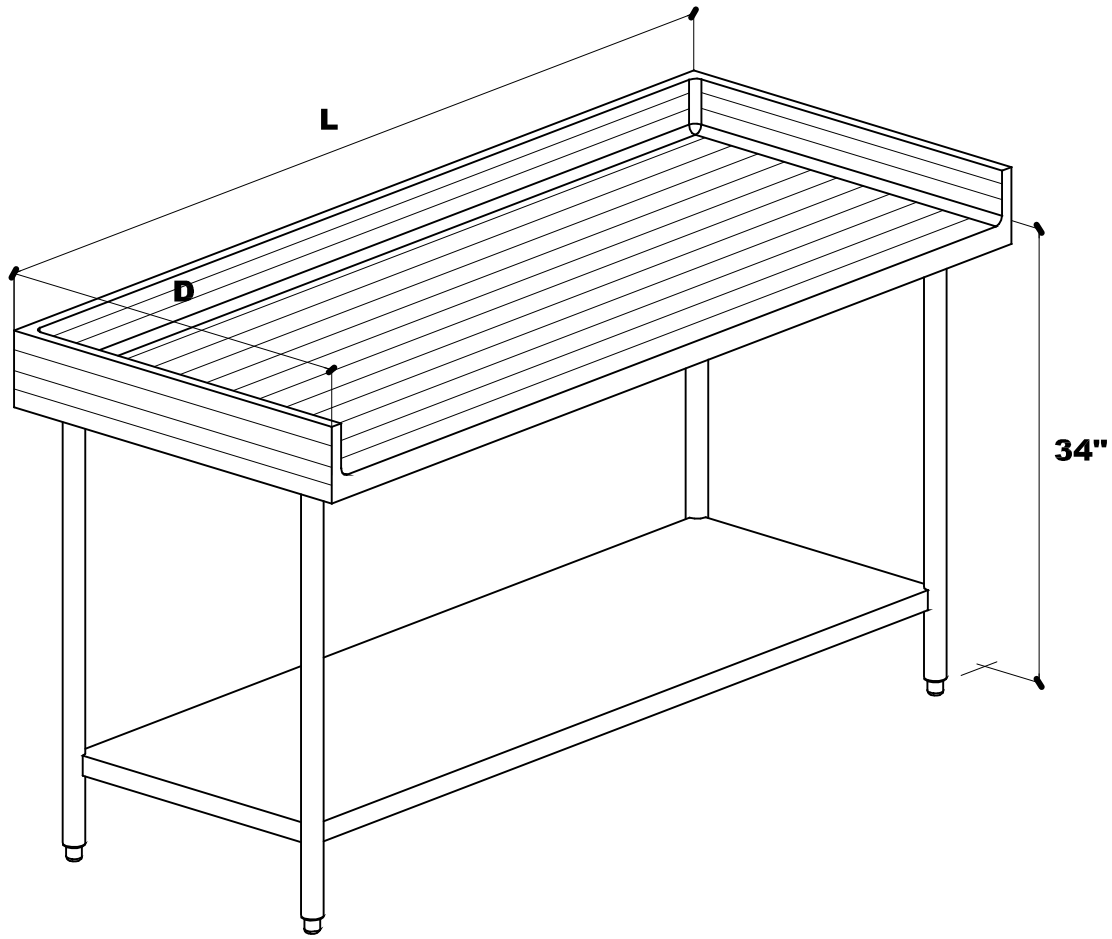
43 South Linden Ave South San Francisco CA 94080 Ph (650) 589-4231 Fax (650) 589-3981 www.berlinusa.com

Made in the US since 1941

BUTCHER BLOCK PREP WORKTABLES

WITH BACK & SIDE SPLASHES AND UNDERSHELF - GTSX SERIES

T-304 N.S.F.
CONSTRUCTION



MODEL #	LENGTH (FT)	DEPTH (FT)	NET WT.	MODEL #	LENGTH (FT)	DEPTH (FT)	NET WT.	MODEL #	LENGTH (FT)	DEPTH (FT)	NET WT.
GTSX	2	2	53	GTSX	6	2	117	GTSX	10	2	193
GTSX	2	2.5	61	GTSX	6	2.5	137	GTSX	10	2.5	225
GTSX	2	3	68	GTSX	6	3	156	GTSX	10	3	257
GTSX	3	2	69	GTSX	7	2	142	GTSX	11	2	206
GTSX	3	2.5	80	GTSX	7	2.5	165	GTSX	11	2.5	241
GTSX	3	3	90	GTSX	7	3	188	GTSX	11	3	275
GTSX	4	2	85	GTSX	8	2	158	GTSX	12	2	218
GTSX	4	2.5	98	GTSX	8	2.5	185	GTSX	12	2.5	255
GTSX	4	3	111	GTSX	8	3	211	GTSX	12	3	292
GTSX	5	2	101	GTSX	9	2	175				
GTSX	5	2.5	118	GTSX	9	2.5	205				
GTSX	5	3	134	GTSX	9	3	234				

USE FOR ARCHITECT / ENGINEER / CONTRACTOR APPROVAL

Job name _____

Date _____ QTY _____ Contractor _____

Model No. _____ Customer _____ Architect/Engineer _____

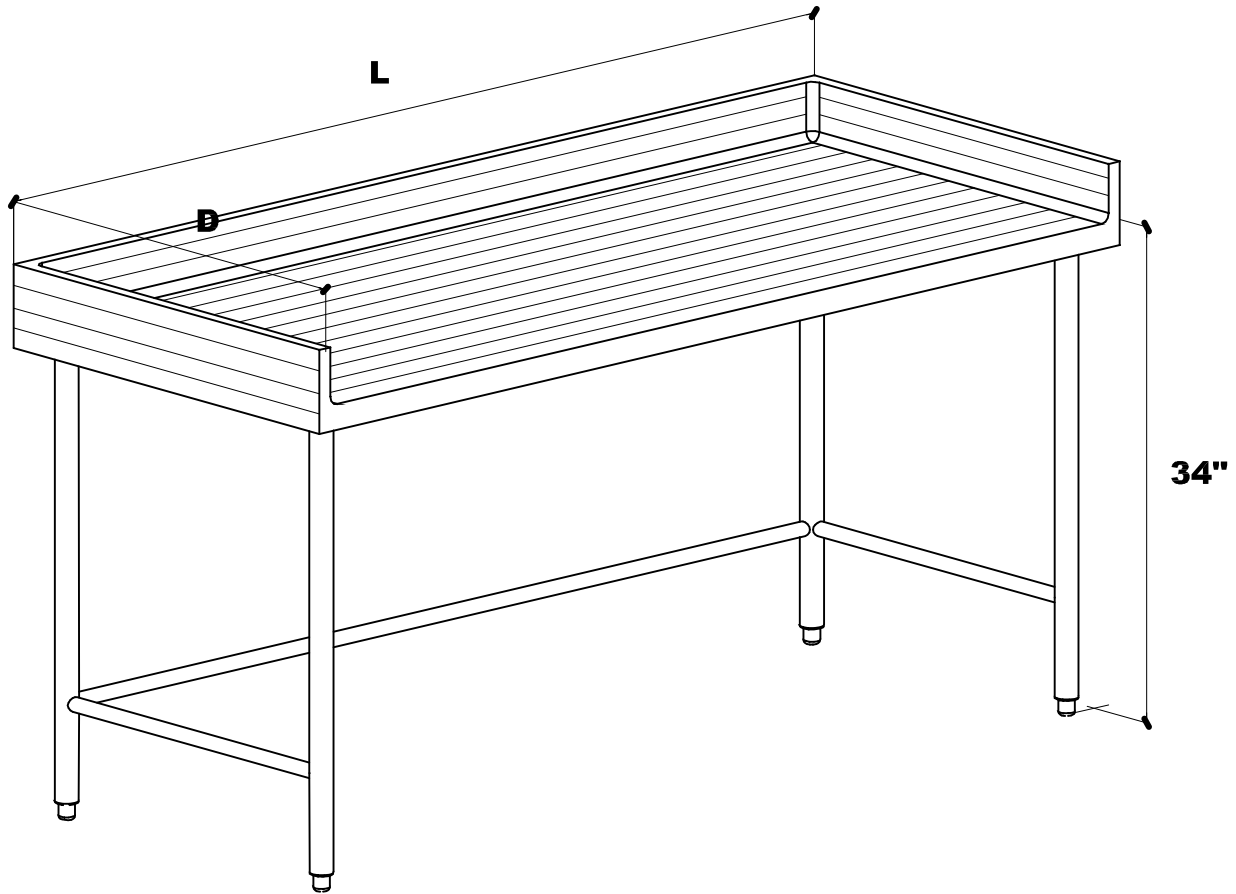


Performance Through Stainless!

43 South Linden Ave South San Francisco CA 94080 Ph (650) 589-4231 Fax (650) 589-3981 www.berlinusa.com

BUTCHER BLOCK PREP WORKTABLES

WITH BACK AND SIDE SPLASHES - GTRS SERIES



MODEL #	LENGTH (FT)	DEPTH (FT)	NET WT.	MODEL #	LENGTH (FT)	DEPTH (FT)	NET WT.	MODEL #	LENGTH (FT)	DEPTH (FT)	NET WT.
GTRS	2	2	46	GTRS	6	2	87	GTRS	10	2	141
GTRS	2	2.5	50	GTRS	6	2.5	98	GTRS	10	2.5	161
GTRS	2	3	53	GTRS	6	3	109	GTRS	10	3	180
GTRS	3	2	55	GTRS	7	2	107	GTRS	11	2	149
GTRS	3	2.5	61	GTRS	7	2.5	119	GTRS	11	2.5	170
GTRS	3	3	67	GTRS	7	3	131	GTRS	11	3	191
GTRS	4	2	64	GTRS	8	2	118	GTRS	12	2	157
GTRS	4	2.5	73	GTRS	8	2.5	133	GTRS	12	2.5	179
GTRS	4	3	81	GTRS	8	3	147	GTRS	12	3	201
GTRS	5	2	76	GTRS	9	2	130				
GTRS	5	2.5	86	GTRS	9	2.5	147				
GTRS	5	3	95	GTRS	9	3	163				

USE FOR ARCHITECT / ENGINEER / CONTRACTOR APPROVAL

Job name _____

Date _____ QTY _____ Contractor _____

Model No. _____ Customer _____ Architect/Engineer _____



Performance Through Stainless!