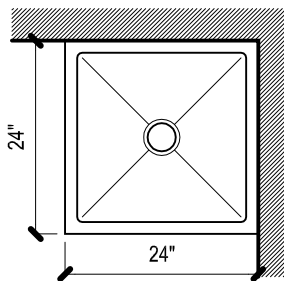
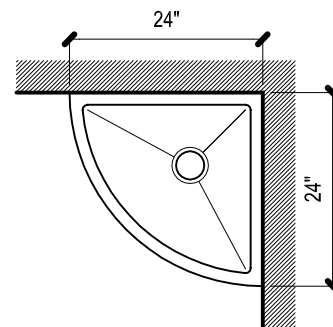


PRICE: \$849.00



PRICE: \$789.00



PRICE: \$1390.00

USE FOR ARCHITECT / ENGINEER / CONTRACTOR APPROVAL

JOB NAME \_\_\_\_\_ DATE \_\_\_\_\_

MODEL No. \_\_\_\_\_ QTY \_\_\_\_\_

CUSTOMER \_\_\_\_\_

CONTRACTOR \_\_\_\_\_

ARCHITECT / ENGINEER \_\_\_\_\_



MADE IN  
 THE U.S.A  
 CERTIFIED  
 TO ANSI