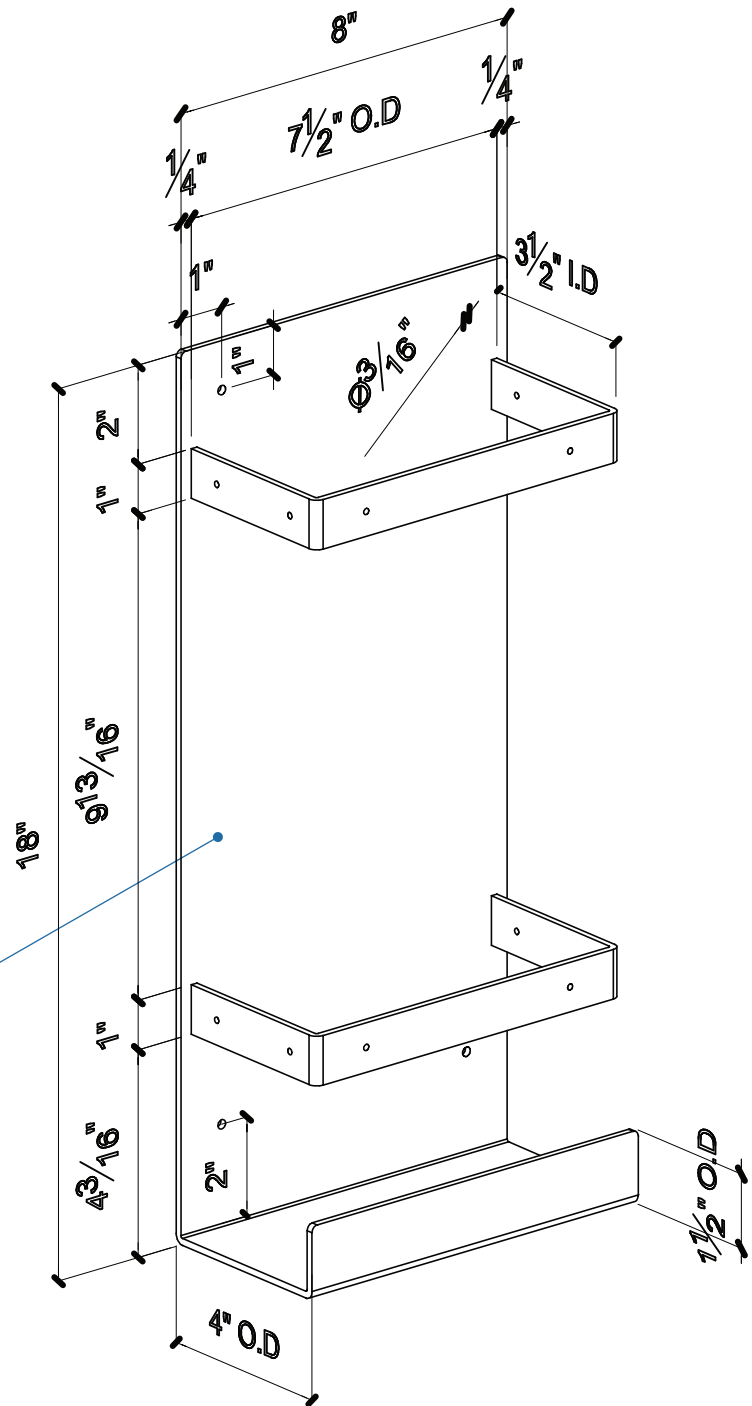


Made in the US since 1941

WALL MOUNT SAFETY GLASS DISPENSER

WM-QRS50 | DWG 04927



11 GA. STAINLESS STEEL
BRUSHED FINISH
TYPE 304

USE FOR ARCHITECT / ENGINEER / CONTRACTOR APPROVAL

Job name _____

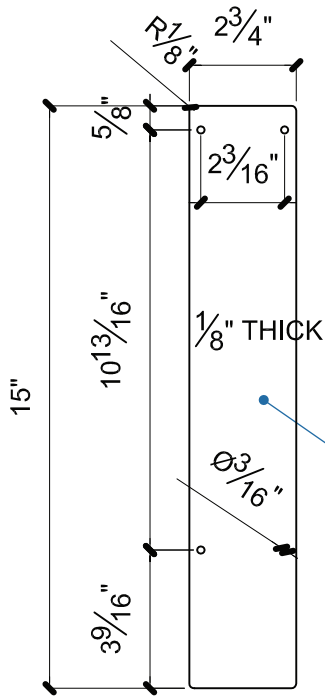
Date _____ QTY _____ Contractor _____

Model No. _____ Customer _____ Architect/Engineer _____

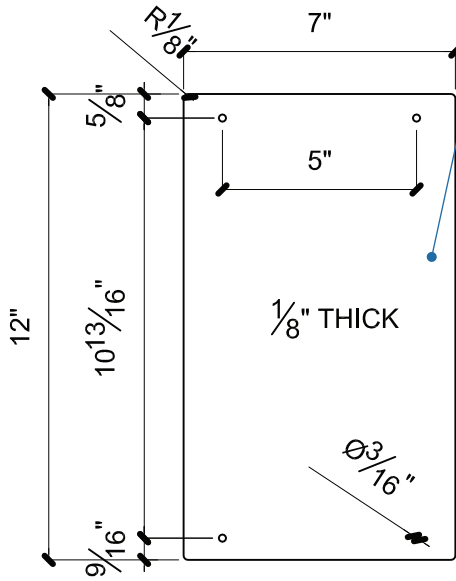


Performance Through Stainless!

43 South Linden Ave South San Francisco CA 94080 Ph (650) 589-4231 Fax (650) 589-3981 www.berlinusa.com

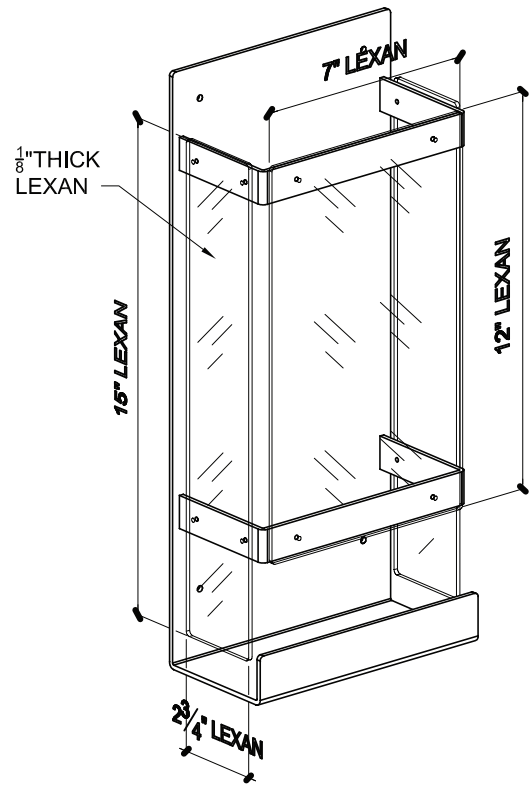
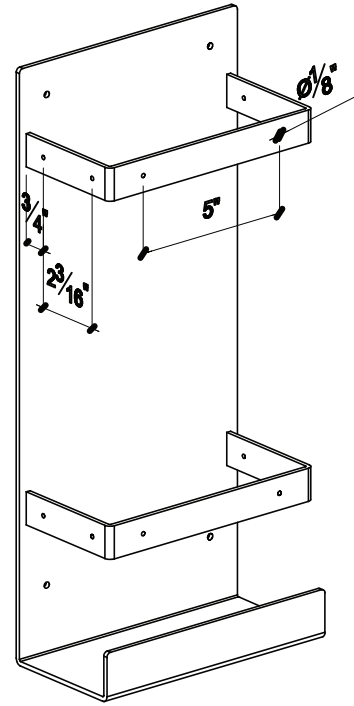


POLYCARBONATE SIDES (QTY: 2)



POLYCARBONATE FRONT (QTY: 1)

1/8" THICK WITH SMOOTH EDGES



USE FOR ARCHITECT / ENGINEER / CONTRACTOR APPROVAL

Job name _____

Date _____ QTY _____ Contractor _____

Model No. _____ Customer _____ Architect/Engineer _____



Performance Through Stainless!