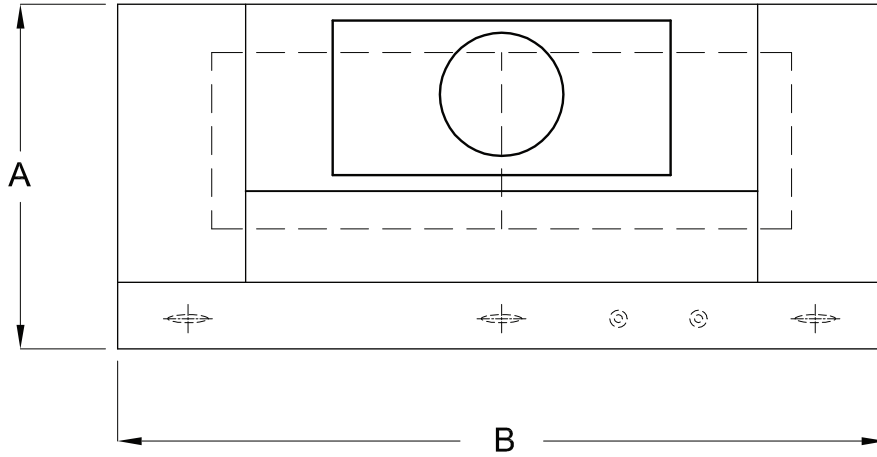


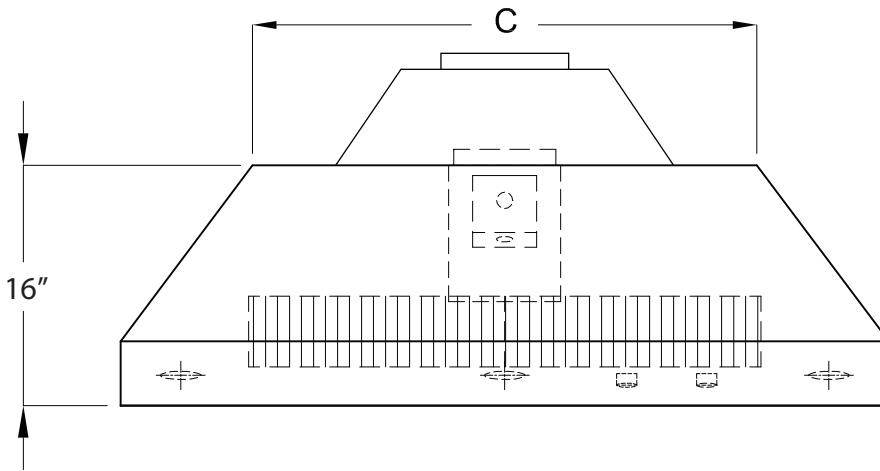
PRO-SERIES LINER

WALL MOUNT | SINGLE INTERNAL BLOWER

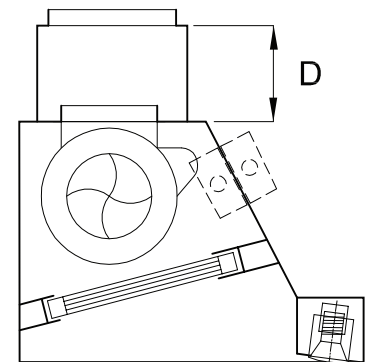


PLAN

DIMENSIONS	
A	_____
B	_____
C	_____
D	_____



FRONT ELEVATION



SECTION

USE FOR ARCHITECT / ENGINEER / CONTRACTOR APPROVAL

Job name _____

Date _____ QTY _____ Contractor _____

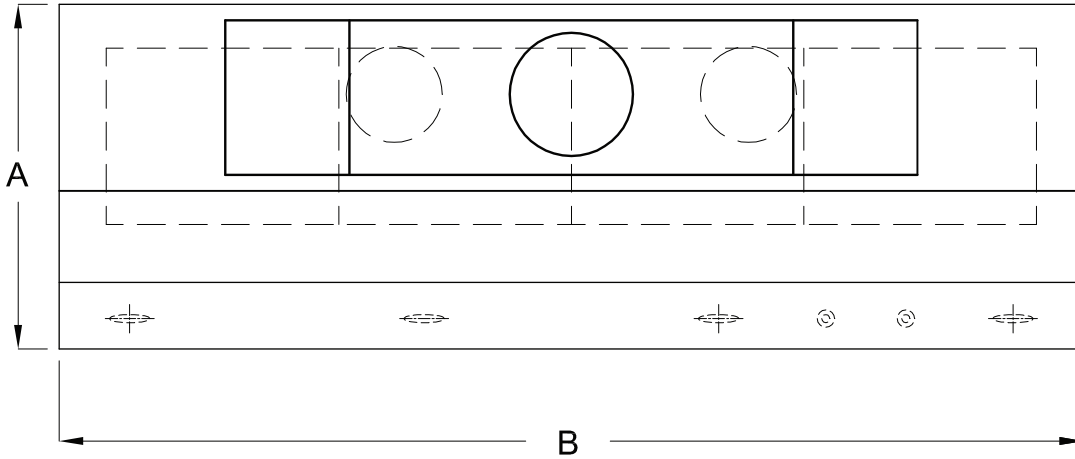
Model No. _____ Customer _____ Architect/Engineer _____



Performance Through Stainless!

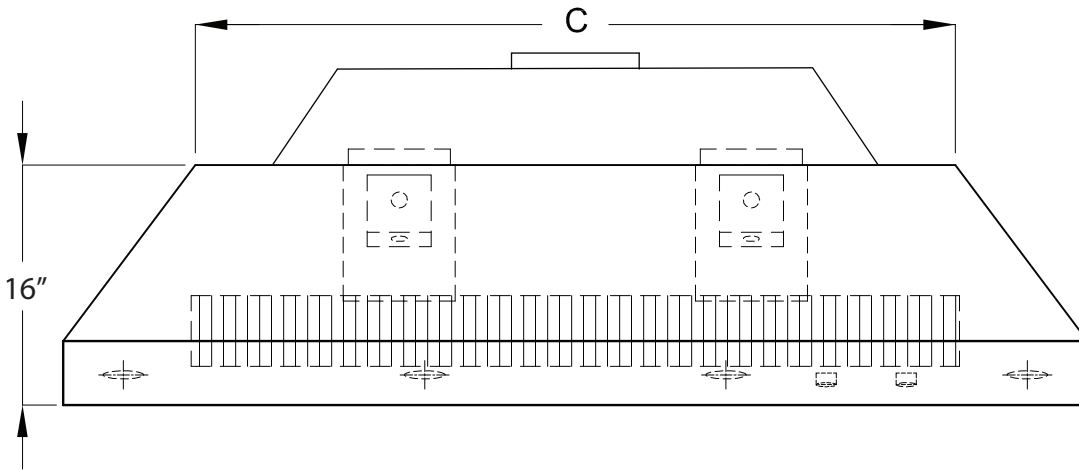
PRO-SERIES LINER

WALL MOUNT | DOUBLE INTERNAL BLOWERS

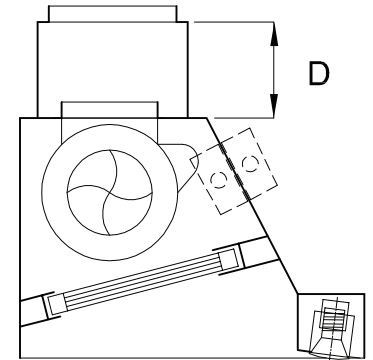


PLAN

DIMENSIONS	
A	_____
B	_____
C	_____
D	_____



FRONT ELEVATION



SECTION

USE FOR ARCHITECT / ENGINEER / CONTRACTOR APPROVAL

Job name _____

Date _____ QTY _____ Contractor _____

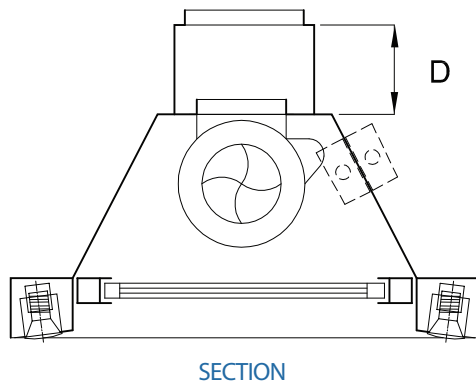
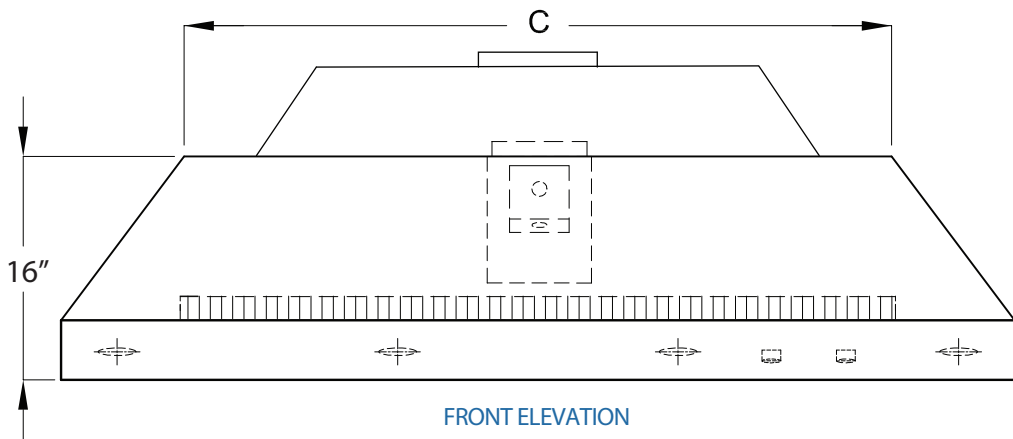
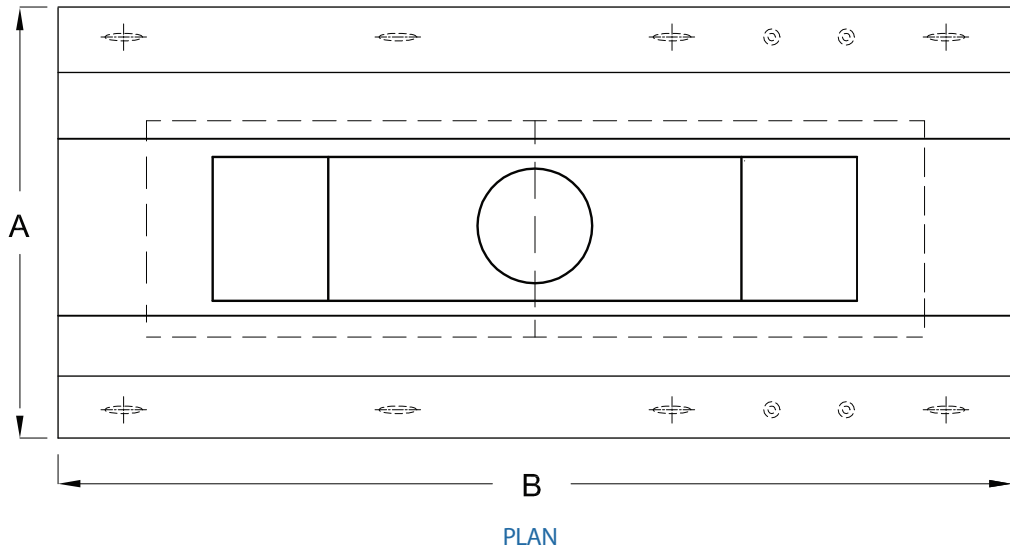
Model No. _____ Customer _____ Architect/Engineer _____



Performance Through Stainless!

PRO-SERIES LINER

ISLAND HOOD | SINGLE INTERNAL BLOWER



DIMENSIONS	
A	_____
B	_____
C	_____
D	_____

USE FOR ARCHITECT / ENGINEER / CONTRACTOR APPROVAL

Job name _____

Date _____ QTY _____ Contractor _____

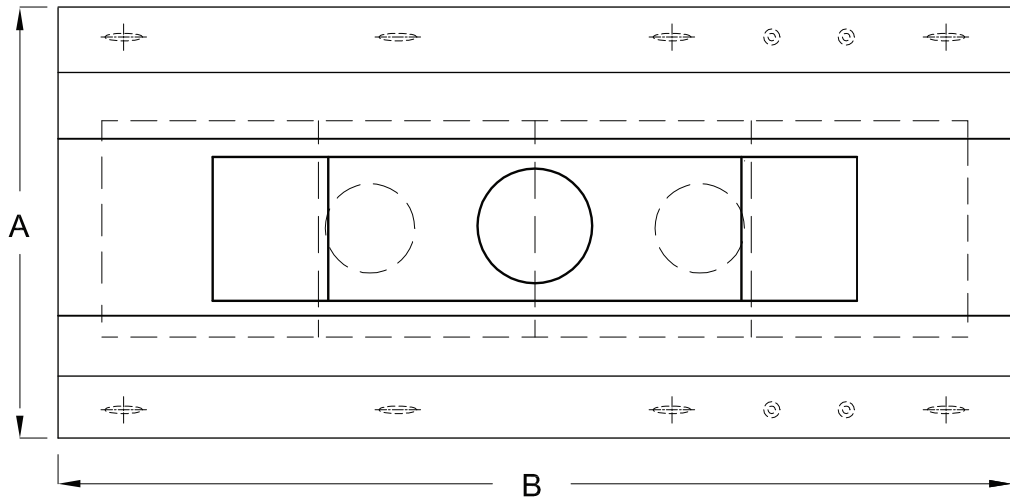
Model No. _____ Customer _____ Architect/Engineer _____



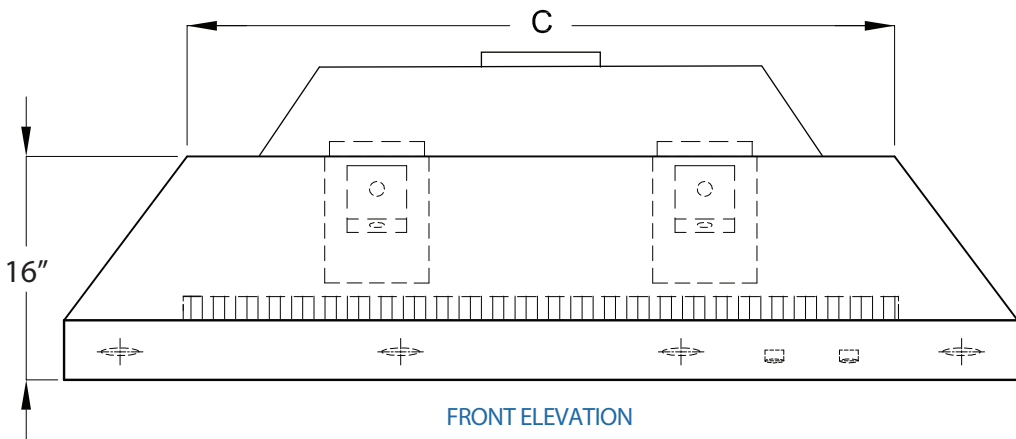
Performance Through Stainless!

PRO-SERIES LINER

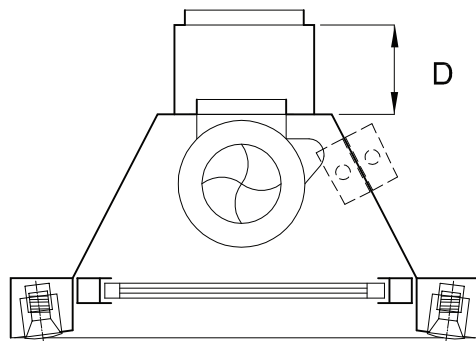
ISLAND HOOD | DOUBLE INTERNAL BLOWERS



PLAN



FRONT ELEVATION



SECTION

DIMENSIONS

A _____
B _____
C _____
D _____

USE FOR ARCHITECT / ENGINEER / CONTRACTOR APPROVAL

Job name _____

Date _____ QTY _____ Contractor _____

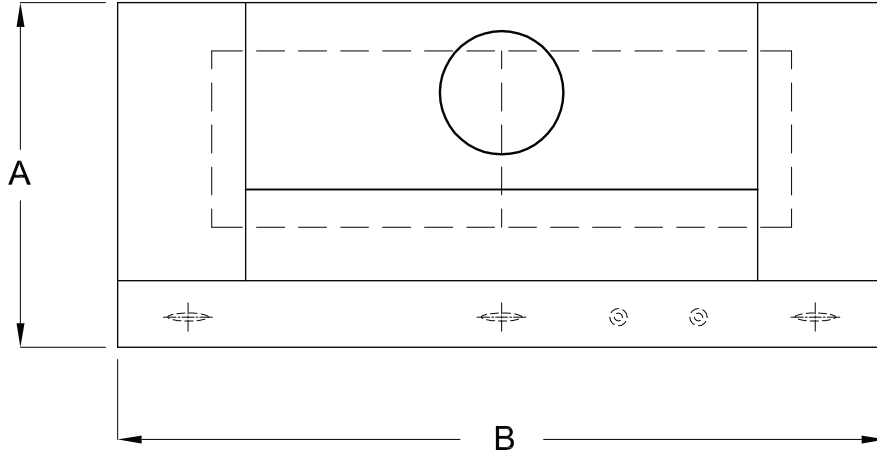
Model No. _____ Customer _____ Architect/Engineer _____



Performance Through Stainless!

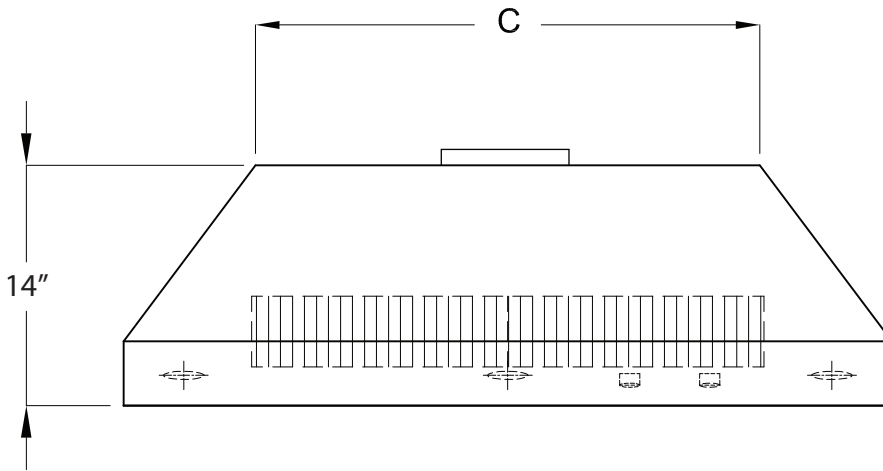
PRO-SERIES LINER

WALL MOUNT | EXTERNAL BLOWER

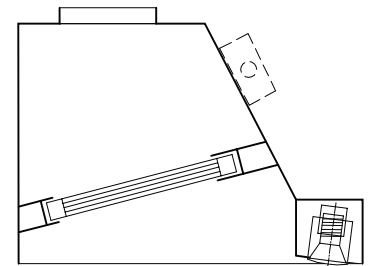


PLAN

DIMENSIONS	
A	_____
B	_____
C	_____
D	_____



FRONT ELEVATION



SECTION

USE FOR ARCHITECT / ENGINEER / CONTRACTOR APPROVAL

Job name _____

Date _____ QTY _____ Contractor _____

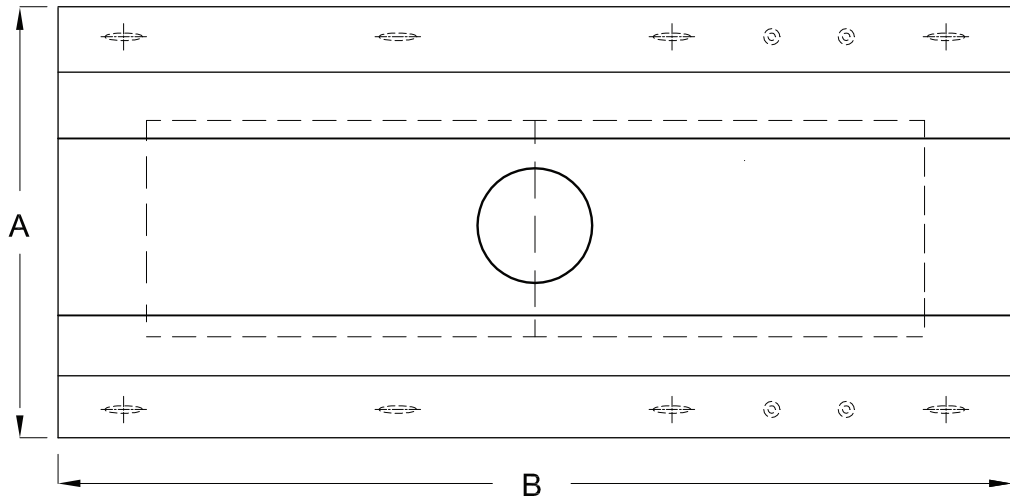
Model No. _____ Customer _____ Architect/Engineer _____



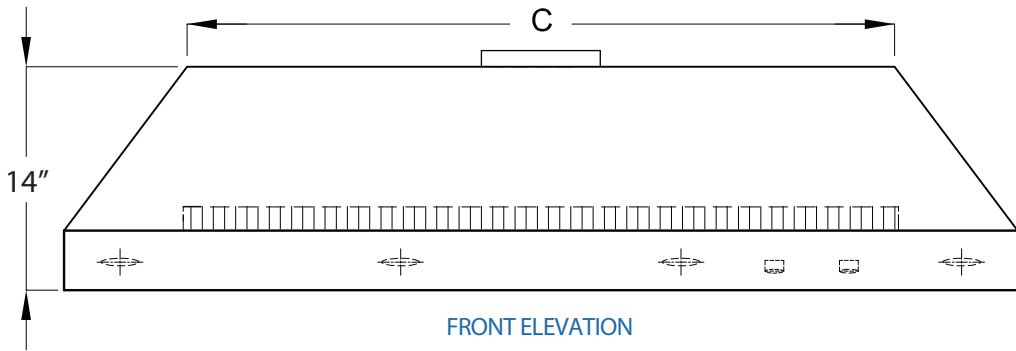
Performance Through Stainless!

PRO-SERIES LINER

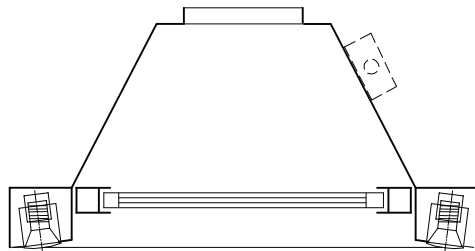
ISLAND HOOD | EXTERNAL BLOWER



PLAN



FRONT ELEVATION



SECTION

DIMENSIONS

- A _____
- B _____
- C _____
- D _____

USE FOR ARCHITECT / ENGINEER / CONTRACTOR APPROVAL

Job name _____

Date _____ QTY _____ Contractor _____

Model No. _____ Customer _____ Architect/Engineer _____



Performance Through Stainless!