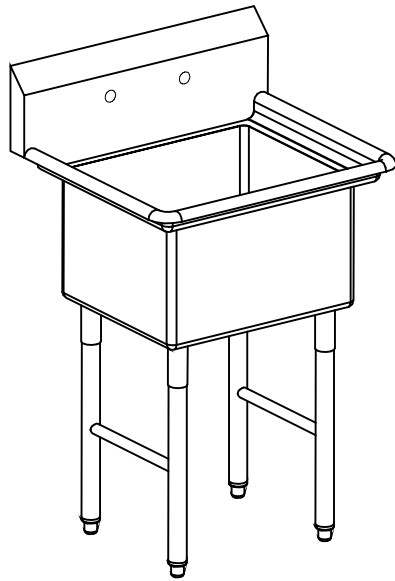


Made in the US since 1941

# STAINLESS STEEL NSF LAB SINKS

## SINGLE TUB | NO DRAINBOARD

T-304 N.S.F.  
CONSTRUCTION

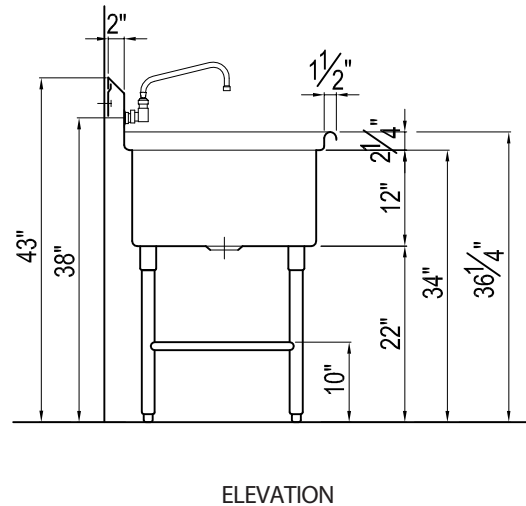
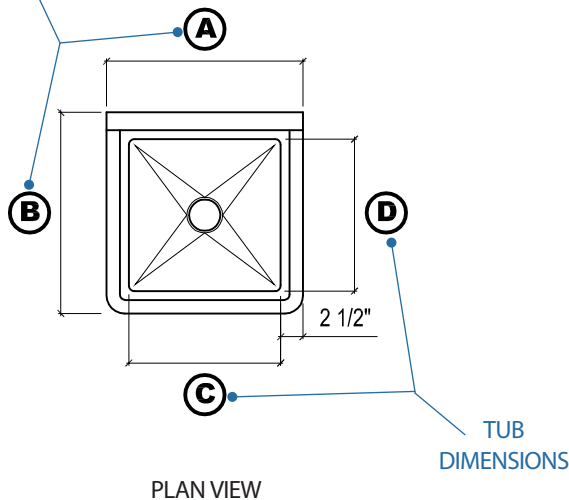


MODEL NO.	"A"	"B"	"C"	"D"	NET WT.	LIST PRICE
1N18	23"	23.5"	18"	18"	40 LBS	\$ 1,301.00
1N1823	23"	28.5"	18"	23"	44 LBS	\$ 1,392.00
1N23	28"	28.5"	23"	23"	50 LBS	\$ 1,446.00
1N2923	34"	28.5"	29"	23"	57 LBS	\$ 1,500.00
1N29	34"	34.5"	29"	29"	63 LBS	\$ 1,608.00

### SPECIFICATIONS

- CONSTRUCTED OF 16 GAUGE, TYPE 304 STAINLESS STEEL
- WELDED & POLISHED TO A #4 FINISH
- INSIDE CORNERS COVERED TO COMPLY WITH NSF STANDARD NO. 2
- FRONT AND ENDS FINISHED WITH A 1.5" DIAMETER SANITARY ROLLED EDGE
- 9" HIGH BACK SPLASH WITH A 2" RETURN TO THE WALL AT 45 DEGREES AND A 3/4" TURN-DOWN WITH WALL CLIPS
- CENTER BASKET DRAINS WITH 1-1/2" IPS OUTLETS
- S/S NSF LEG SOCKETS WELDED TO THE BOTTOM
- "H" LEGS ARE 1-5/8" O.D. S/S TUBING
- NSF ADJUSTABLE BULLET FEET

OVERALL DIMENSIONS



USE FOR ARCHITECT / ENGINEER / CONTRACTOR APPROVAL

Job name \_\_\_\_\_

Date \_\_\_\_\_ QTY \_\_\_\_\_ Contractor \_\_\_\_\_

Model No. \_\_\_\_\_ Customer \_\_\_\_\_ Architect/Engineer \_\_\_\_\_



Performance Through Stainless!

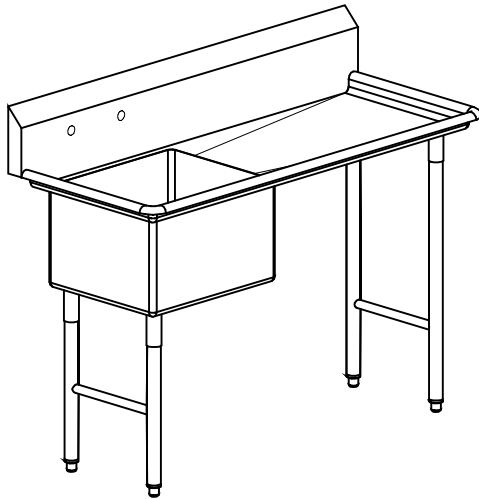
43 South Linden Ave South San Francisco CA 94080 Ph (650) 589-4231 Fax (650) 589-3981 www.berlinusa.com

Made in the US since 1941

# STAINLESS STEEL NSF LAB SINKS

## SINGLE TUB | RIGHT-SIDE DRAINBOARD

T-304 N.S.F.  
CONSTRUCTION

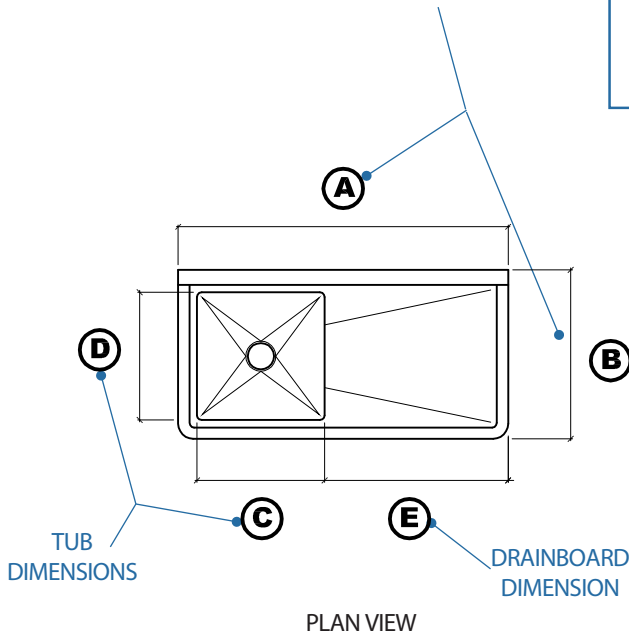


MODEL NO.	"A"	"B"	"C"	"D"	"E"	NET WT.	LIST PRICE
1N18 - 1D18	38.5"	23.5"	18"	18"	18"	47 LBS	\$ 1,680.00
1N18 - 1D24	44.5"	23.5"	18"	18"	24"	51 LBS	\$ 1,716.00
1N1823 - 1D18	38.5"	28.5"	18"	23"	18"	54 LBS	\$ 1,755.00
1N1823 - 1D24	44.5"	28.5"	18"	23"	24"	58 LBS	\$ 1,799.00
1N23 - 1D24	49.5"	28.5"	23"	23"	24"	64 LBS	\$ 1,854.00
1N23 - 1D30	55.5"	28.5"	23"	23"	30"	68 LBS	\$ 1,899.00
1N2923 - 1D30	61.5"	28.5"	29"	23"	30"	77 LBS	\$ 1,953.00
1N2923 - 1D36	67.5"	28.5"	29"	23"	36"	81 LBS	\$ 2,011.00
1N29 - 1D30	61.5"	34.5"	29"	29"	30"	86 LBS	\$ 2,097.00
1N29 - 1D36	67.5"	34.5"	29"	29"	36"	91 LBS	\$ 2,162.00

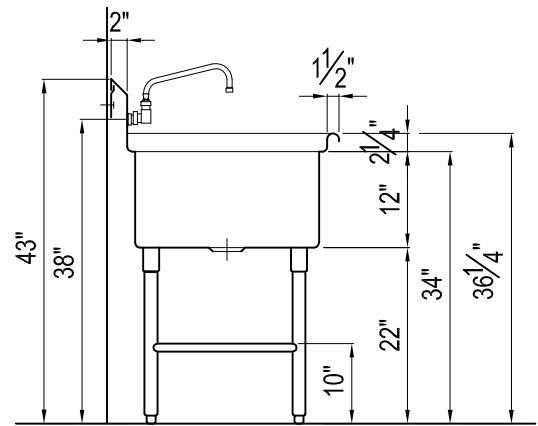
### SPECIFICATIONS

- CONSTRUCTED OF 16 GAUGE, TYPE 304 STAINLESS STEEL
- WELDED & POLISHED TO A #4 FINISH
- INSIDE CORNERS COVERED TO COMPLY WITH NSF STANDARD NO. 2
- FRONT AND ENDS FINISHED WITH A 1.5" DIAMETER SANITARY ROLLED EDGE
- 9" HIGH BACK SPLASH WITH A 2" RETURN TO THE WALL AT 45 DEGREES AND A 3/4" TURN-DOWN WITH WALL CLIPS
- CENTER BASKET DRAINS WITH 1-1/2" IPS OUTLETS
- S/S NSF LEG SOCKETS WELDED TO THE BOTTOM
- "H" LEGS ARE 1-5/8" O.D. S/S TUBING
- NSF ADJUSTABLE BULLET FEET

OVERALL DIMENSIONS



PLAN VIEW



ELEVATION

USE FOR ARCHITECT / ENGINEER / CONTRACTOR APPROVAL

Job name \_\_\_\_\_

Date \_\_\_\_\_ QTY \_\_\_\_\_ Contractor \_\_\_\_\_

Model No. \_\_\_\_\_ Customer \_\_\_\_\_ Architect/Engineer \_\_\_\_\_



Performance Through Stainless!

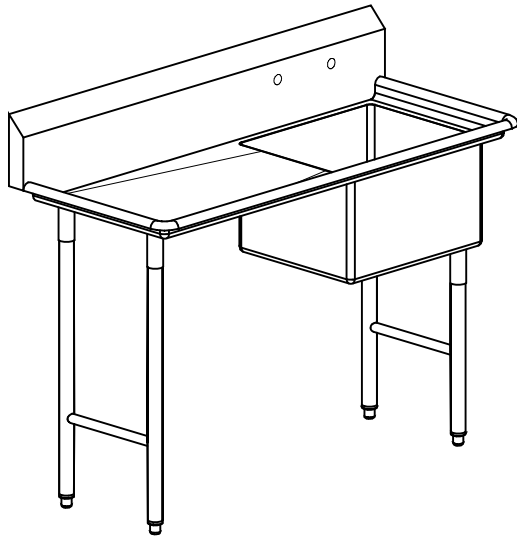
43 South Linden Ave South San Francisco CA 94080 Ph (650) 589-4231 Fax (650) 589-3981 www.berlinusa.com

Made in the US since 1941

# STAINLESS STEEL NSF LAB SINKS

## SINGLE TUB | LEFT-SIDE DRAINBOARD

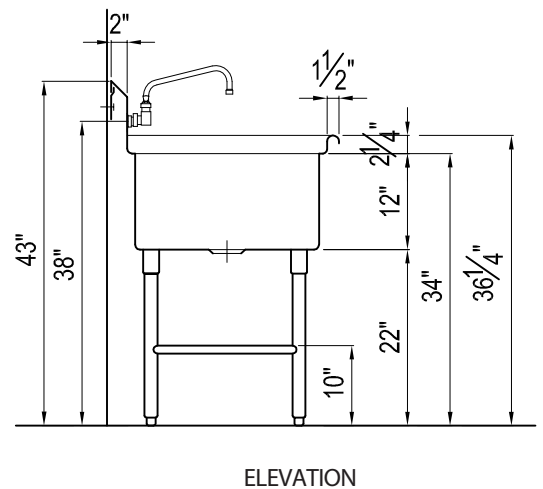
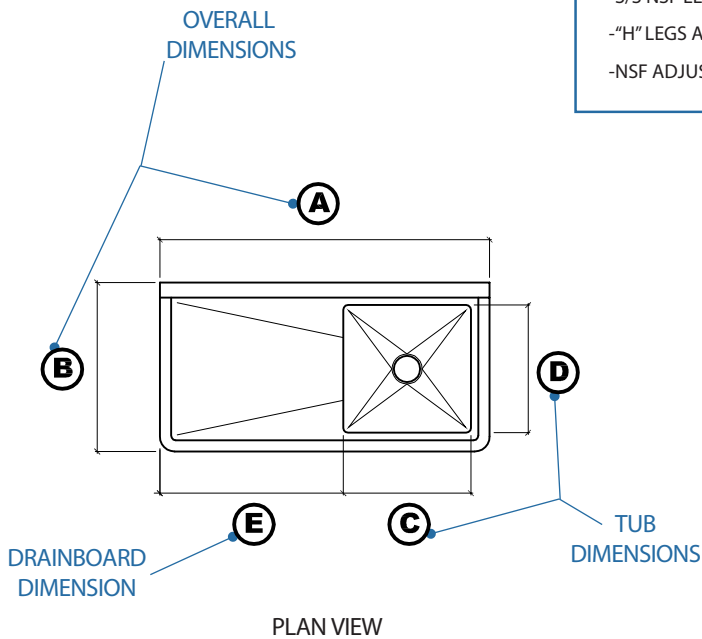
T-304 N.S.F.  
CONSTRUCTION



MODEL NO.	"A"	"B"	"C"	"D"	"E"	NET WT.	LIST PRICE
1N18 - 1D18	38.5"	23.5"	18"	18"	18"	47 LBS	\$ 1,680.00
1N18 - 1D24	44.5"	23.5"	18"	18"	24"	51 LBS	\$ 1,716.00
1N1823 - 1D18	38.5"	28.5"	18"	23"	18"	54 LBS	\$ 1,755.00
1N1823 - 1D24	44.5"	28.5"	18"	23"	24"	58 LBS	\$ 1,799.00
1N23 - 1D24	49.5"	28.5"	23"	23"	24"	64 LBS	\$ 1,854.00
1N23 - 1D30	55.5"	28.5"	23"	23"	30"	68 LBS	\$ 1,899.00
1N2923 - 1D30	61.5"	28.5"	29"	23"	30"	77 LBS	\$ 1,953.00
1N2923 - 1D36	67.5"	28.5"	29"	23"	36"	81 LBS	\$ 2,011.00
1N29 - 1D30	61.5"	34.5"	29"	29"	30"	86 LBS	\$ 2,097.00
1N29 - 1D36	67.5"	34.5"	29"	29"	36"	91 LBS	\$ 2,162.00

### SPECIFICATIONS

- CONSTRUCTED OF 16 GAUGE, TYPE 304 STAINLESS STEEL
- WELDED & POLISHED TO A #4 FINISH
- INSIDE CORNERS COVERED TO COMPLY WITH NSF STANDARD NO. 2
- FRONT AND ENDS FINISHED WITH A 1.5" DIAMETER SANITARY ROLLED EDGE
- 9" HIGH BACK SPLASH WITH A 2" RETURN TO THE WALL AT 45 DEGREES AND A 3/4" TURN-DOWN WITH WALL CLIPS
- CENTER BASKET DRAINS WITH 1-1/2" IPS OUTLETS
- S/S NSF LEG SOCKETS WELDED TO THE BOTTOM
- "H" LEGS ARE 1-5/8" O.D. S/S TUBING
- NSF ADJUSTABLE BULLET FEET



USE FOR ARCHITECT / ENGINEER / CONTRACTOR APPROVAL

Job name \_\_\_\_\_

Date \_\_\_\_\_ QTY \_\_\_\_\_ Contractor \_\_\_\_\_

Model No. \_\_\_\_\_ Customer \_\_\_\_\_ Architect/Engineer \_\_\_\_\_



Performance Through Stainless!

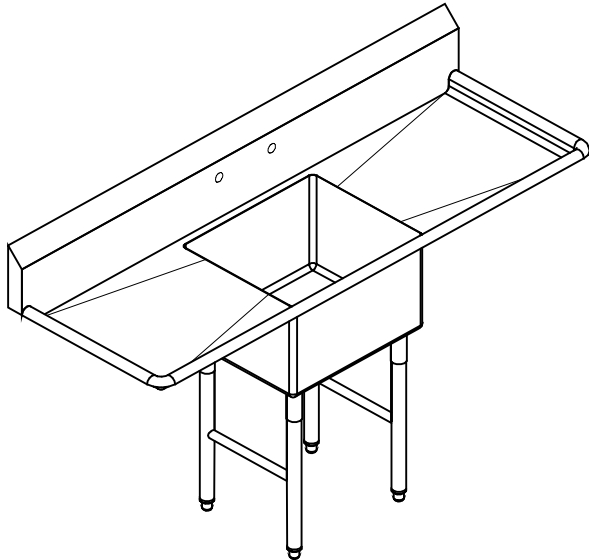
43 South Linden Ave South San Francisco CA 94080 Ph (650) 589-4231 Fax (650) 589-3981 www.berlinusa.com

Made in the US since 1941

# STAINLESS STEEL NSF LAB SINKS

## SINGLE TUB | DRAINBOARDS ON BOTH SIDES

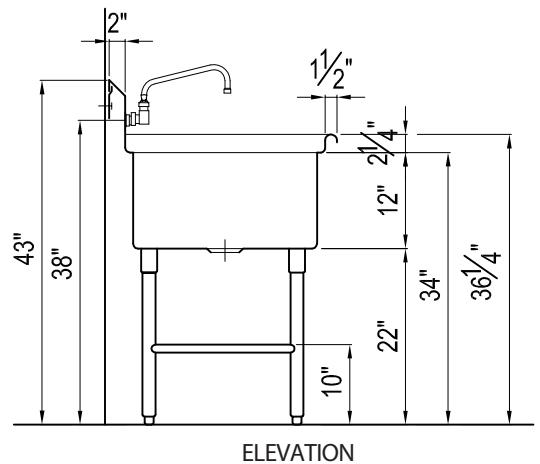
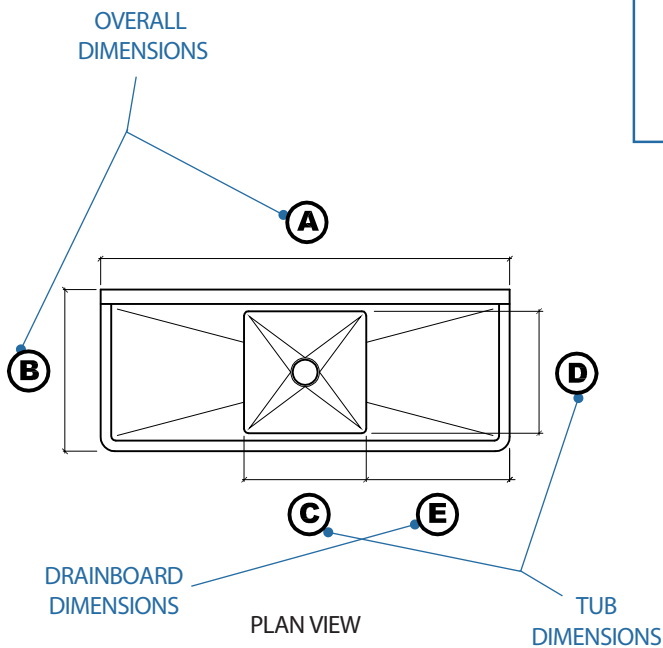
T-304 N.S.F.  
CONSTRUCTION



MODEL NO.	"A"	"B"	"C"	"D"	"E"	NET WT.	LIST PRICE
1N18 - 2D18	54"	23.5"	18"	18"	18"	58 LBS	\$ 1,892.00
1N18 - 2D24	66"	23.5"	18"	18"	24"	64 LBS	\$ 1,964.00
1N1823 - 2D18	54"	28.5"	18"	23"	18"	64 LBS	\$ 1,989.00
1N1823 - 2D24	66"	28.5"	18"	23"	24"	72 LBS	\$ 1,076.00
1N23 - 2D24	71"	28.5"	23"	23"	24"	78 LBS	\$ 1,130.00
1N23 - 2D30	83"	28.5"	23"	23"	30"	86 LBS	\$ 1,223.00
1N2923 - 2D30	89"	28.5"	29"	23"	30"	93 LBS	\$ 1,277.00
* 1N2923 - 2D36	101"	28.5"	29"	23"	36"	115 LBS	\$ 2,592.00
1N29 - 2D30	89"	34.5"	29"	29"	30"	105 LBS	\$ 2,565.00
* 1N29 - 2D36	101"	34.5"	29"	29"	36"	128 LBS	\$ 2,895.00

\* ADD 2 FEET WHEN DRAINBOARD IS 36"

- SPECIFICATIONS**
- CONSTRUCTED OF 16 GAUGE, TYPE 304 STAINLESS STEEL
  - WELDED & POLISHED TO A #4 FINISH
  - INSIDE CORNERS COVERED TO COMPLY WITH NSF STANDARD NO. 2
  - FRONT AND ENDS FINISHED WITH A 1.5" DIAMETER SANITARY ROLLED EDGE
  - 9" HIGH BACK SPLASH WITH A 2" RETURN TO THE WALL AT 45 DEGREES AND A 3/4" TURN-DOWN WITH WALL CLIPS
  - CENTER BASKET DRAINS WITH 1-1/2" IPS OUTLETS
  - S/S NSF LEG SOCKETS WELDED TO THE BOTTOM
  - "H" LEGS ARE 1-5/8" O.D. S/S TUBING
  - NSF ADJUSTABLE BULLET FEET



USE FOR ARCHITECT / ENGINEER / CONTRACTOR APPROVAL

Job name \_\_\_\_\_

Date \_\_\_\_\_ QTY \_\_\_\_\_ Contractor \_\_\_\_\_

Model No. \_\_\_\_\_ Customer \_\_\_\_\_ Architect/Engineer \_\_\_\_\_



Performance Through Stainless!

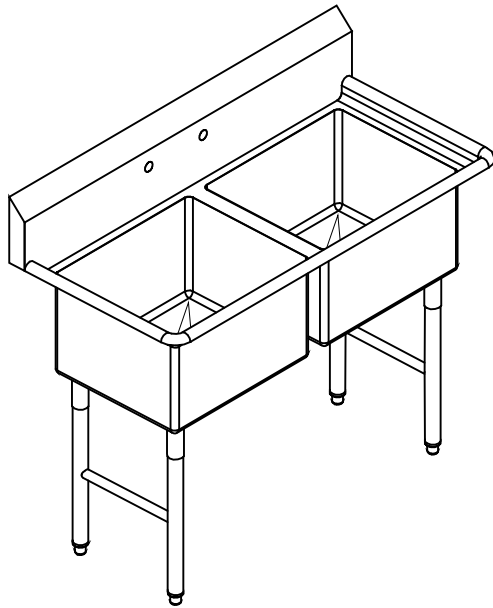
43 South Linden Ave South San Francisco CA 94080 Ph (650) 589-4231 Fax (650) 589-3981 www.berlinusa.com

Made in the US since 1941

# STAINLESS STEEL NSF LAB SINKS

## DOUBLE TUBS | NO DRAINBOARD

T-304 N.S.F.  
CONSTRUCTION

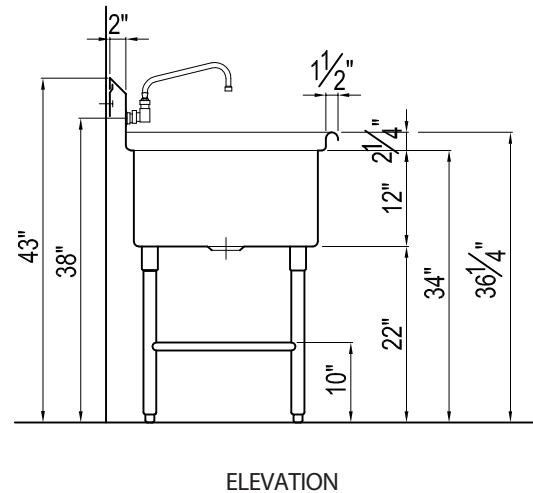
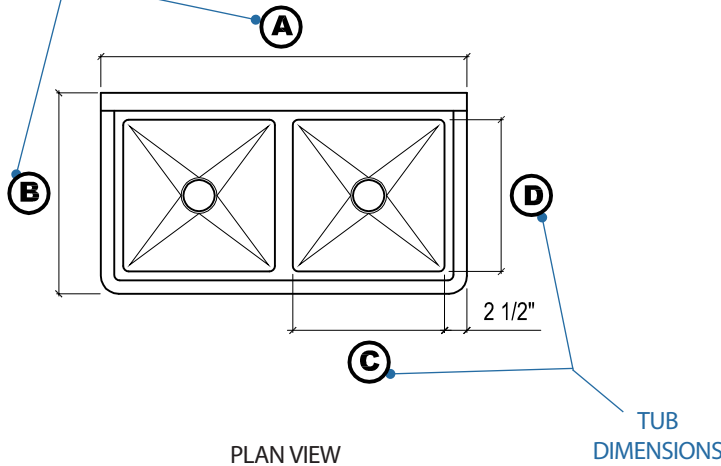


MODEL NO.	"A"	"B"	"C"	"D"	NET WT.	LIST PRICE
2N18	43"	23.5"	18"	18"	64 LBS	\$ 1,819.00
2N1823	43"	28.5"	18"	23"	73 LBS	\$ 1,933.00
2N23	53"	28.5"	23"	23"	84 LBS	\$ 2,047.00
2N2923	65"	28.5"	29"	23"	98 LBS	\$ 2,218.00
2N29	65"	34.5"	29"	29"	109 LBS	\$ 2,389.00

### SPECIFICATIONS

- CONSTRUCTED OF 16 GAUGE, TYPE 304 STAINLESS STEEL
- WELDED & POLISHED TO A #4 FINISH
- INSIDE CORNERS COVERED TO COMPLY WITH NSF STANDARD NO. 2
- FRONT AND ENDS FINISHED WITH A 1.5" DIAMETER SANITARY ROLLED EDGE
- 9" HIGH BACK SPLASH WITH A 2" RETURN TO THE WALL AT 45 DEGREES AND A 3/4" TURN-DOWN WITH WALL CLIPS
- CENTER BASKET DRAINS WITH 1-1/2" IPS OUTLETS
- S/S NSF LEG SOCKETS WELDED TO THE BOTTOM
- "H" LEGS ARE 1-5/8" O.D. S/S TUBING
- NSF ADJUSTABLE BULLET FEET

OVERALL DIMENSIONS



USE FOR ARCHITECT / ENGINEER / CONTRACTOR APPROVAL

Job name \_\_\_\_\_

Date \_\_\_\_\_ QTY \_\_\_\_\_ Contractor \_\_\_\_\_

Model No. \_\_\_\_\_ Customer \_\_\_\_\_ Architect/Engineer \_\_\_\_\_



Performance Through Stainless!

43 South Linden Ave South San Francisco CA 94080 Ph (650) 589-4231 Fax (650) 589-3981 www.berlinusa.com

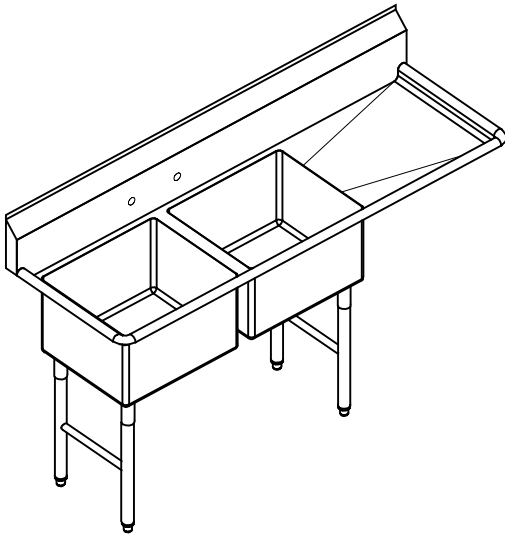
Made in the US since 1941

# STAINLESS STEEL NSF LAB SINKS

## DOUBLE TUBS | RIGHT-SIDE DRAINBOARD

T-304 N.S.F.  
CONSTRUCTION

**NSF.**



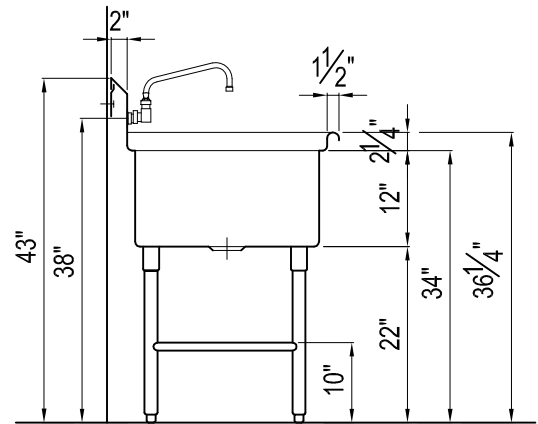
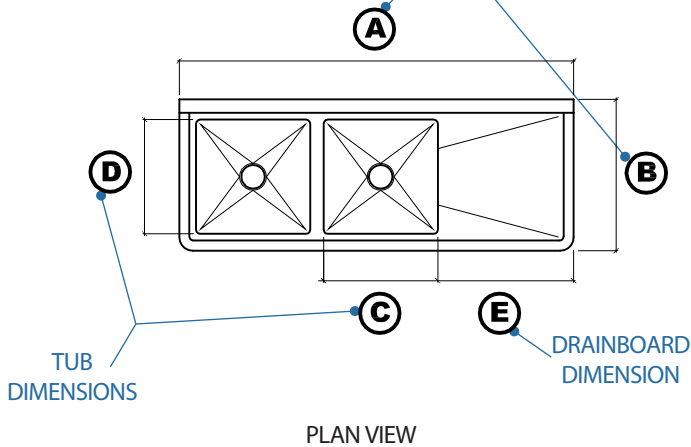
MODEL NO.	"A"	"B"	"C"	"D"	"E"	NET WT.	LIST PRICE
2N18 - 1D18	58.5"	23.5"	18"	18"	18"	73 LBS	\$ 2,111.00
2N18 - 1D24	64.5"	23.5"	18"	18"	24"	76 LBS	\$ 2,149.00
2N1823 - 1D18	58.5"	28.5"	18"	23"	18"	83 LBS	\$ 2,252.00
2N1823 - 1D24	64.5"	28.5"	18"	23"	24"	91 LBS	\$ 2,298.00
2N23 - 1D24	74.5"	28.5"	23"	23"	24"	98 LBS	\$ 2,412.00
2N23 - 1D30	80.5"	28.5"	23"	23"	30"	102 LBS	\$ 2,457.00
2N2923 - 1D30	92.5"	28.5"	29"	23"	30"	116 LBS	\$ 2,571.00
*2N2923 - 1D36	98.5"	28.5"	29"	23"	36"	127 LBS	\$ 2,860.00
2N29 - 1D30	92.5"	34.5"	29"	29"	30"	130 LBS	\$ 2,837.00
*2N29 - 1D36	98.5"	34.5"	29"	29"	36"	141 LBS	\$ 3,134.00

\* ADD 2 FEET WHEN DRAINBOARD IS 36"

### SPECIFICATIONS

- CONSTRUCTED OF 16 GAUGE, TYPE 304 STAINLESS STEEL
- WELDED & POLISHED TO A #4 FINISH
- INSIDE CORNERS COVERED TO COMPLY WITH NSF STANDARD NO. 2
- FRONT AND ENDS FINISHED WITH A 1.5" DIAMETER SANITARY ROLLED EDGE
- 9" HIGH BACK SPLASH WITH A 2" RETURN TO THE WALL AT 45 DEGREES AND A 3/4" TURN-DOWN WITH WALL CLIPS
- CENTER BASKET DRAINS WITH 1-1/2" IPS OUTLETS
- S/S NSF LEG SOCKETS WELDED TO THE BOTTOM
- "H" LEGS ARE 1-5/8" O.D. S/S TUBING
- NSF ADJUSTABLE BULLET FEET

OVERALL DIMENSIONS



USE FOR ARCHITECT / ENGINEER / CONTRACTOR APPROVAL

Job name \_\_\_\_\_

Date \_\_\_\_\_ QTY \_\_\_\_\_ Contractor \_\_\_\_\_

Model No. \_\_\_\_\_ Customer \_\_\_\_\_ Architect/Engineer \_\_\_\_\_



Performance Through Stainless!

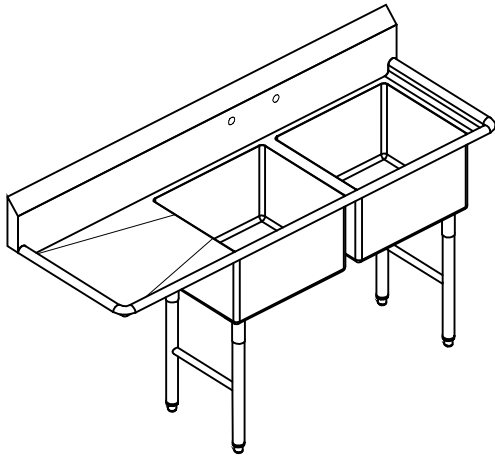
43 South Linden Ave South San Francisco CA 94080 Ph (650) 589-4231 Fax (650) 589-3981 www.berlinusa.com

Made in the US since 1941

# STAINLESS STEEL NSF LAB SINKS

## DOUBLE TUBS | LEFT-SIDE DRAINBOARD

T-304 N.S.F.  
CONSTRUCTION



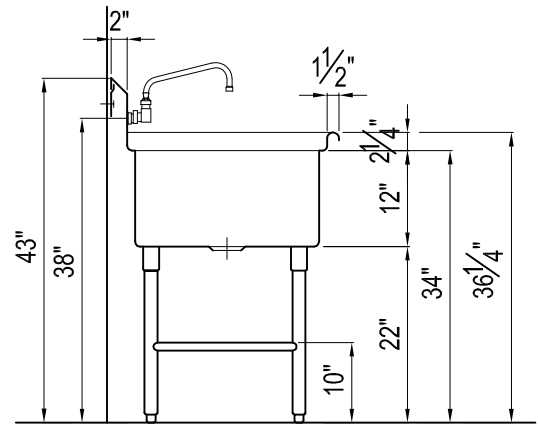
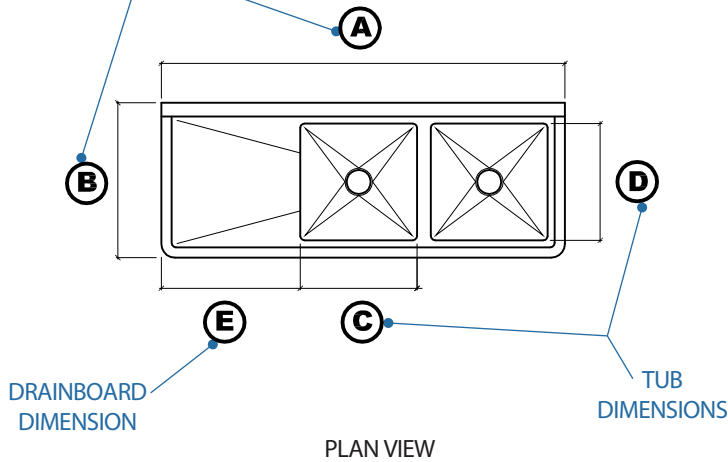
MODEL NO.	"A"	"B"	"C"	"D"	"E"	NET WT.	LIST PRICE
2N18 - 1D18	58.5"	23.5"	18"	18"	18"	73 LBS	\$ 2,111.00
2N18 - 1D24	64.5"	23.5"	18"	18"	24"	76 LBS	\$ 2,149.00
2N1823 - 1D18	58.5"	28.5"	18"	23"	18"	83 LBS	\$ 2,252.00
2N1823 - 1D24	64.5"	28.5"	18"	23"	24"	91 LBS	\$ 2,298.00
2N23 - 1D24	74.5"	28.5"	23"	23"	24"	98 LBS	\$ 2,412.00
2N23 - 1D30	80.5"	28.5"	23"	23"	30"	102 LBS	\$ 2,457.00
2N2923 - 1D30	92.5"	28.5"	29"	23"	30"	116 LBS	\$ 2,571.00
*2N2923 - 1D36	98.5"	28.5"	29"	23"	36"	127 LBS	\$ 2,860.00
2N29 - 1D30	92.5"	34.5"	29"	29"	30"	130 LBS	\$ 2,837.00
*2N29 - 1D36	98.5"	34.5"	29"	29"	36"	141 LBS	\$ 3,134.00

\* ADD 2 FEET WHEN DRAINBOARD IS 36"

### SPECIFICATIONS

- CONSTRUCTED OF 16 GAUGE, TYPE 304 STAINLESS STEEL
- WELDED & POLISHED TO A #4 FINISH
- INSIDE CORNERS COVERED TO COMPLY WITH NSF STANDARD NO. 2
- FRONT AND ENDS FINISHED WITH A 1.5" DIAMETER SANITARY ROLLED EDGE
- 9" HIGH BACK SPLASH WITH A 2" RETURN TO THE WALL AT 45 DEGREES AND A 3/4" TURN-DOWN WITH WALL CLIPS
- CENTER BASKET DRAINS WITH 1-1/2" IPS OUTLETS
- S/S NSF LEG SOCKETS WELDED TO THE BOTTOM
- "H" LEGS ARE 1-5/8" O.D. S/S TUBING
- NSF ADJUSTABLE BULLET FEET

OVERALL DIMENSIONS



USE FOR ARCHITECT / ENGINEER / CONTRACTOR APPROVAL

Job name \_\_\_\_\_

Date \_\_\_\_\_ QTY \_\_\_\_\_ Contractor \_\_\_\_\_

Model No. \_\_\_\_\_ Customer \_\_\_\_\_ Architect/Engineer \_\_\_\_\_



Performance Through Stainless!

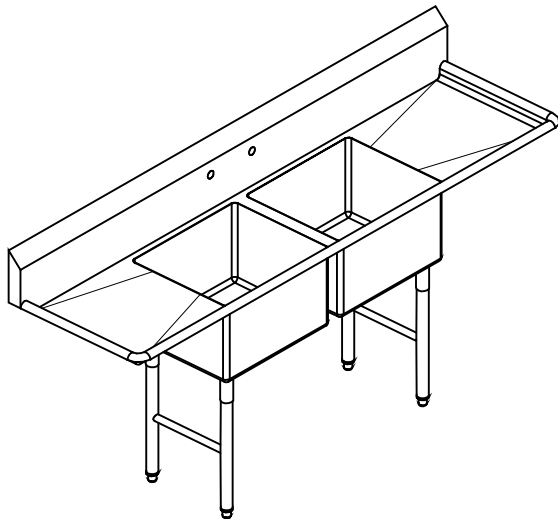
43 South Linden Ave South San Francisco CA 94080 Ph (650) 589-4231 Fax (650) 589-3981 www.berlinusa.com

Made in the US since 1941

# STAINLESS STEEL NSF LAB SINKS

## DOUBLE TUBS | DRAINBOARDS ON BOTH SIDES

T-304 N.S.F.  
CONSTRUCTION

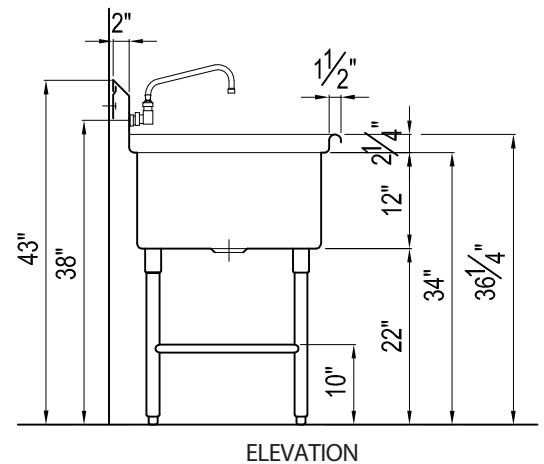
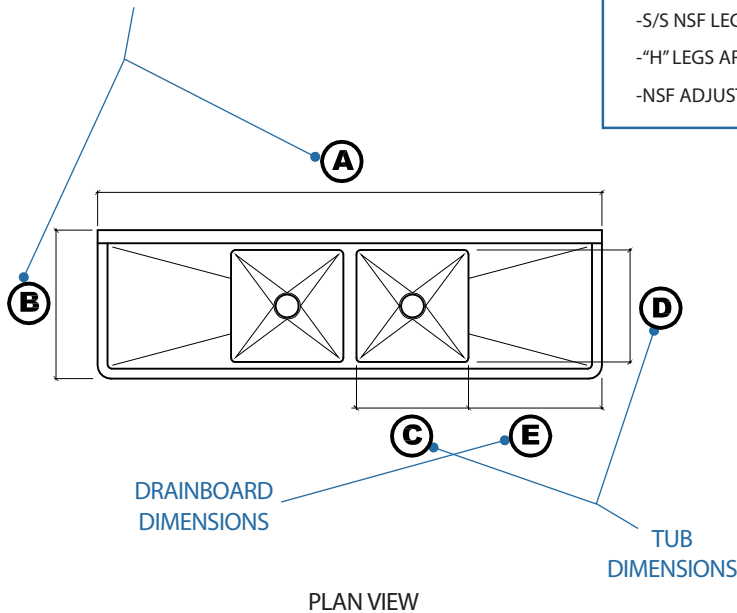


MODEL NO.	"A"	"B"	"C"	"D"	"E"	NET WT.	LIST PRICE
2N18 - 2D18	74"	22.5"	18"	18"	18"	81 LBS	\$ 2,404.00
2N18 - 2D24	86"	22.5"	18"	18"	24"	88 LBS	\$ 2,480.00
2N1823 - 2D18	74"	28.5"	18"	23"	18"	93 LBS	\$ 2,567.00
2N1823 - 2D24	86"	28.5"	18"	23"	24"	101 LBS	\$ 2,659.00
2N23 - 2D24	96"	28.5"	23"	23"	24"	112 LBS	\$ 2,773.00
2N23 - 2D30	108"	28.5"	23"	23"	30"	120 LBS	\$ 2,868.00
2N2923 - 2D30	120"	28.5"	29"	23"	30"	134 LBS	\$ 2,982.00
* 2N2923 - 2D36	132"	28.5"	29"	23"	36"	156 LBS	\$ 3,559.00
2N29 - 2D30	120"	34.5"	29"	29"	30"	146 LBS	\$ 3,343.00
* 2N29 - 2D36	132"	34.5"	29"	29"	36"	173 LBS	\$ 3,935.00

\* ADD 2 FEET WHEN DRAINBOARD IS 36"

- SPECIFICATIONS**
- CONSTRUCTED OF 16 GAUGE, TYPE 304 STAINLESS STEEL
  - WELDED & POLISHED TO A #4 FINISH
  - INSIDE CORNERS COVERED TO COMPLY WITH NSF STANDARD NO. 2
  - FRONT AND ENDS FINISHED WITH A 1.5" DIAMETER SANITARY ROLLED EDGE
  - 9" HIGH BACK SPLASH WITH A 2" RETURN TO THE WALL AT 45 DEGREES AND A 3/4" TURN-DOWN WITH WALL CLIPS
  - CENTER BASKET DRAINS WITH 1-1/2" IPS OUTLETS
  - S/S NSF LEG SOCKETS WELDED TO THE BOTTOM
  - "H" LEGS ARE 1-5/8" O.D. S/S TUBING
  - NSF ADJUSTABLE BULLET FEET

OVERALL DIMENSIONS



USE FOR ARCHITECT / ENGINEER / CONTRACTOR APPROVAL

Job name \_\_\_\_\_

Date \_\_\_\_\_ QTY \_\_\_\_\_ Contractor \_\_\_\_\_

Model No. \_\_\_\_\_ Customer \_\_\_\_\_ Architect/Engineer \_\_\_\_\_



Performance Through Stainless!

43 South Linden Ave South San Francisco CA 94080 Ph (650) 589-4231 Fax (650) 589-3981 www.berlinusa.com

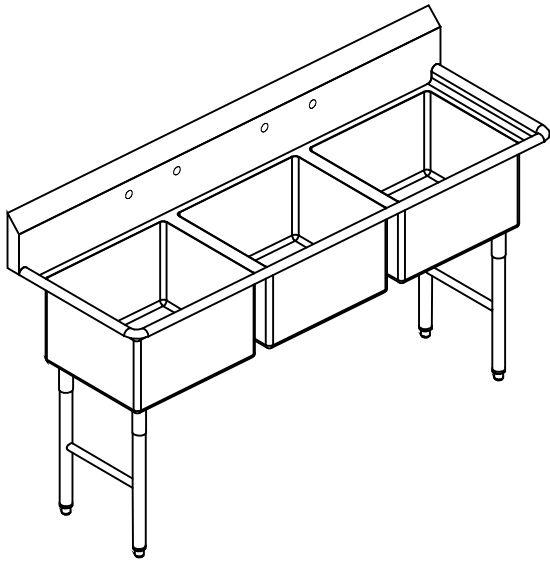


Made in the US since 1941

# STAINLESS STEEL NSF LAB SINKS

## TRIPLE TUBS | NO DRAINBOARD

T-304 N.S.F.  
CONSTRUCTION

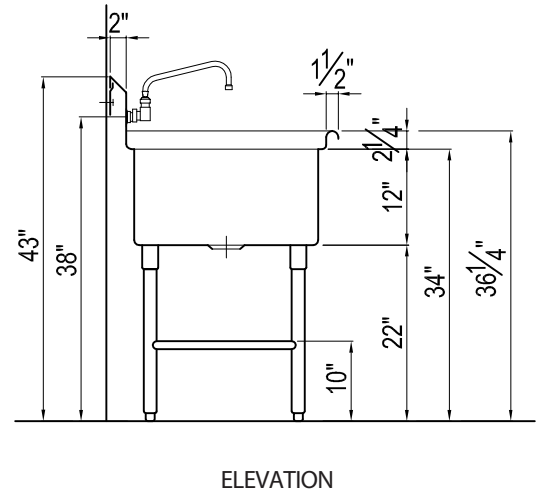
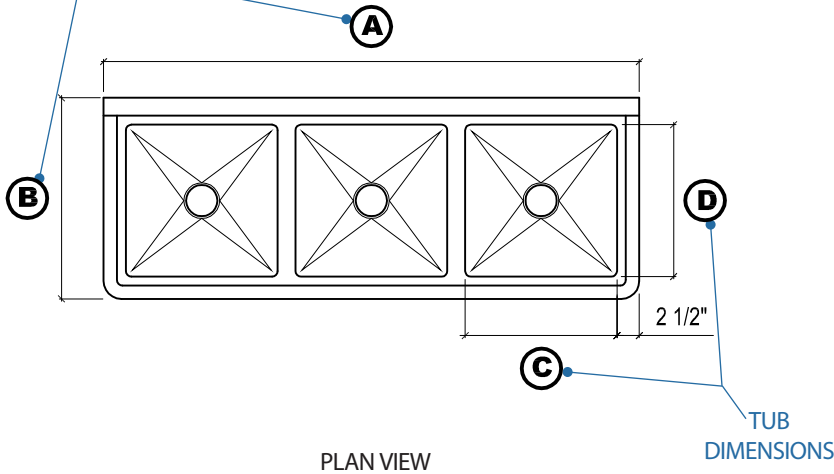


MODEL NO.	"A"	"B"	"C"	"D"	NET WT.	LIST PRICE
3N18	44"	23.5"	18"	18"	88 LBS	\$ 2,191.00
3N1823	44"	28.5"	18"	23"	101 LBS	\$ 2,362.00
* 3N23	53"	28.5"	23"	23"	115 LBS	\$ 2,533.00
* 3N2923	65"	28.5"	29"	23"	140 LBS	\$ 2,704.00
* 3N29	65"	34.5"	29"	29"	519 LBS	\$ 3,046.00

\* INDICATES 2 SETS OF FAUCET HOLES

- ### SPECIFICATIONS
- CONSTRUCTED OF 16 GAUGE, TYPE 304 STAINLESS STEEL
  - WELDED & POLISHED TO A #4 FINISH
  - INSIDE CORNERS COVERED TO COMPLY WITH NSF STANDARD NO. 2
  - FRONT AND ENDS FINISHED WITH A 1.5" DIAMETER SANITARY ROLLED EDGE
  - 9" HIGH BACK SPLASH WITH A 2" RETURN TO THE WALL AT 45 DEGREES AND A 3/4" TURN-DOWN WITH WALL CLIPS
  - CENTER BASKET DRAINS WITH 1-1/2" IPS OUTLETS
  - S/S NSF LEG SOCKETS WELDED TO THE BOTTOM
  - "H" LEGS ARE 1-5/8" O.D. S/S TUBING
  - NSF ADJUSTABLE BULLET FEET

OVERALL DIMENSIONS



USE FOR ARCHITECT / ENGINEER / CONTRACTOR APPROVAL

Job name \_\_\_\_\_

Date \_\_\_\_\_ QTY \_\_\_\_\_ Contractor \_\_\_\_\_

Model No. \_\_\_\_\_ Customer \_\_\_\_\_ Architect/Engineer \_\_\_\_\_



Performance Through Stainless!

43 South Linden Ave South San Francisco CA 94080 Ph (650) 589-4231 Fax (650) 589-3981 www.berlinusa.com

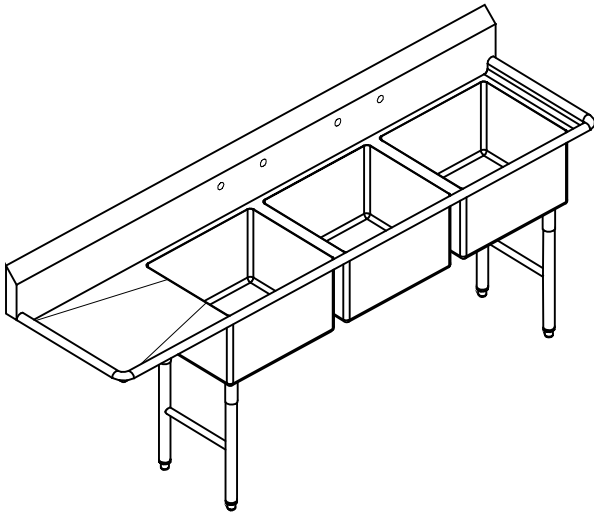
Made in the US since 1941

# STAINLESS STEEL NSF LAB SINKS

## TRIPLE TUBS | LEFT-SIDE DRAINBOARD

T-304 N.S.F.  
CONSTRUCTION

**NSF.**

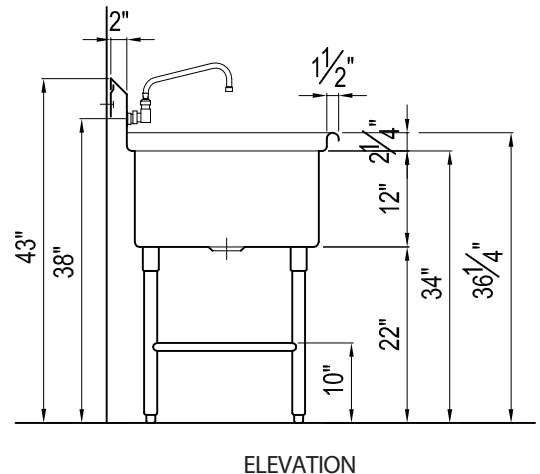
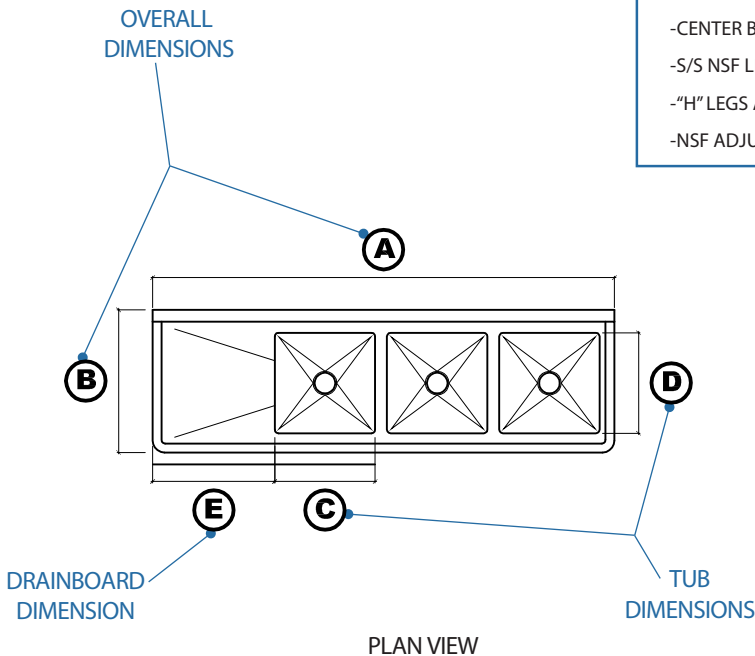


MODEL NO.	"A"	"B"	"C"	"D"	"E"	NET WT.	LIST PRICE
3N18 - 1D18	78.5"	23.5"	18"	18"	18"	97 LBS	\$ 2,484.00
3N18 - 1D24	84.5"	23.5"	18"	18"	24"	110 LBS	\$ 2,522.00
3N1823 - 1D18	78.5"	28.5"	18"	23"	18"	111 LBS	\$ 2,681.00
3N1823 - 1D24	84.5"	28.5"	18"	23"	24"	115 LBS	\$ 2,727.00
*3N23 - 1D24	99.5"	28.5"	23"	23"	24"	129 LBS	\$ 2,898.00
*3N23 - 1D30	105.5"	28.5"	23"	23"	30"	137 LBS	\$ 2,944.00
*3N2923 - 1D30	123.5"	28.5"	29"	23"	30"	158 LBS	\$ 3,115.00
**3N2923 - 1D36	135.5"	28.5"	29"	23"	36"	170 LBS	\$ 3,403.00
*3N29 - 1D30	123.5"	34.5"	29"	29"	30"	177 LBS	\$ 3,495.00
**3N29 - 1D36	135.5"	34.5"	29"	29"	36"	188 LBS	\$ 3,791.00

\* INDICATES 2 SETS OF FAUCET HOLES  
\*\* INDICATES ADD 2 LEGS AT 36" DRAINBOARD & 2 SETS OF FAUCET HOLES

### SPECIFICATIONS

- CONSTRUCTED OF 16 GAUGE, TYPE 304 STAINLESS STEEL
- WELDED & POLISHED TO A #4 FINISH
- INSIDE CORNERS COVED TO COMPLY WITH NSF STANDARD NO. 2
- FRONT AND ENDS FINISHED WITH A 1.5" DIAMETER SANITARY ROLLED EDGE
- 9" HIGH BACK SPLASH WITH A 2" RETURN TO THE WALL AT 45 DEGREES AND A 3/4" TURN-DOWN WITH WALL CLIPS
- CENTER BASKET DRAINS WITH 1-1/2" IPS OUTLETS
- S/S NSF LEG SOCKETS WELDED TO THE BOTTOM
- "H" LEGS ARE 1-5/8" O.D. S/S TUBING
- NSF ADJUSTABLE BULLET FEET



USE FOR ARCHITECT / ENGINEER / CONTRACTOR APPROVAL

Job name \_\_\_\_\_

Date \_\_\_\_\_ QTY \_\_\_\_\_ Contractor \_\_\_\_\_

Model No. \_\_\_\_\_ Customer \_\_\_\_\_ Architect/Engineer \_\_\_\_\_



Performance Through Stainless!

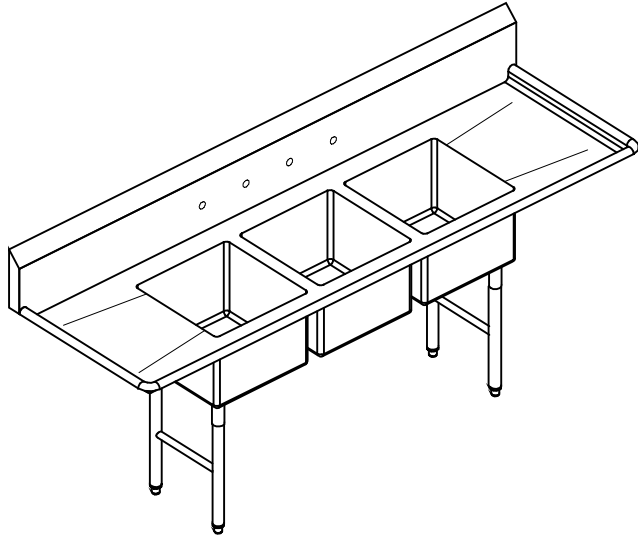
43 South Linden Ave South San Francisco CA 94080 Ph (650) 589-4231 Fax (650) 589-3981 www.berlinusa.com

Made in the US since 1941

# STAINLESS STEEL NSF LAB SINKS

## TRIPLE TUBS | DRAINBOARDS ON BOTH SIDES

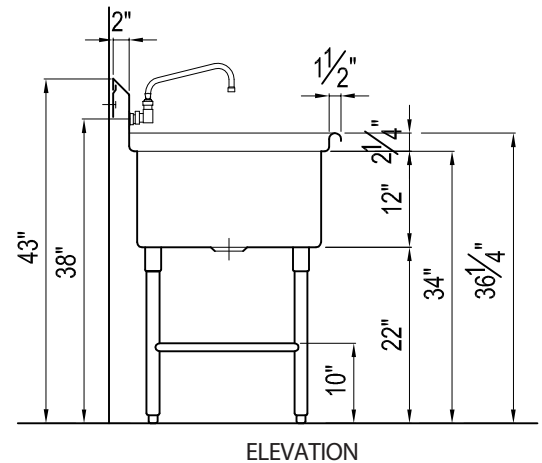
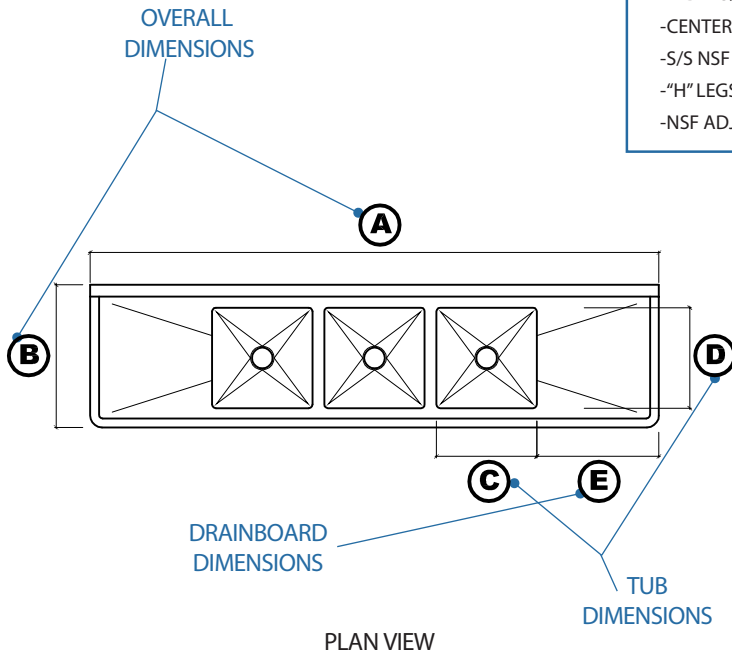
T-304 N.S.F.  
CONSTRUCTION



MODEL NO.	"A"	"B"	"C"	"D"	"E"	NET WT.	LIST PRICE
3N18 - 2D18	94"	23.5"	18"	18"	18"	106 LBS	\$ 2,776.00
3N18 - 2D24	106"	23.5"	18"	18"	24"	112 LBS	\$ 2,852.00
3N1823 - 2D18	94"	28.5"	18"	23"	18"	121 LBS	\$ 3,001.00
3N1823 - 2D24	106"	28.5"	18"	23"	24"	129 LBS	\$ 3,092.00
*3N2028 - 2D20	104"	33.5"	20"	28"	20"	155 LBS	\$ 4,350.00
*3N2028 - 2D24	112"	33.5"	20"	28"	20"	160 LBS	\$ 4,326.00
*3N23 - 2D24	121"	28.5"	23"	23"	24"	147 LBS	\$ 3,263.00
*3N23 - 2D30	133"	28.5"	23"	23"	30"	154 LBS	\$ 3,354.00
*3N2923 - 2D30	151"	28.5"	29"	23"	30"	176 LBS	\$ 3,525.00
**3N2923 - 2D36	163"	28.5"	29"	23"	36"	197 LBS	\$ 4,103.00
*3N29 - 2D30	151"	34.5"	29"	29"	30"	197 LBS	\$ 3,943.00
**3N29 - 2D36	163"	34.5"	29"	29"	36"	219 LBS	\$ 4,536.00

\* INDICATES 2 SETS OF FAUCET HOLES  
\*\* INDICATES ADD 2 LEGS AT 36" DRAINBOARD & 2 SETS OF FAUCET HOLES

- ### SPECIFICATIONS
- CONSTRUCTED OF 16 GAUGE, TYPE 304 STAINLESS STEEL
  - WELDED & POLISHED TO A #4 FINISH
  - INSIDE CORNERS COVERED TO COMPLY WITH NSF STANDARD NO. 2
  - FRONT AND ENDS FINISHED WITH A 1.5" DIAMETER SANITARY ROLLED EDGE
  - 9" HIGH BACK SPLASH WITH A 2" RETURN TO THE WALL AT 45 DEGREES AND A 3/4" TURN-DOWN WITH WALL CLIPS
  - CENTER BASKET DRAINS WITH 1-1/2" IPS OUTLETS
  - S/S NSF LEG SOCKETS WELDED TO THE BOTTOM
  - "H" LEGS ARE 1-5/8" O.D. S/S TUBING
  - NSF ADJUSTABLE BULLET FEET



USE FOR ARCHITECT / ENGINEER / CONTRACTOR APPROVAL

Job name \_\_\_\_\_

Date \_\_\_\_\_ QTY \_\_\_\_\_ Contractor \_\_\_\_\_

Model No. \_\_\_\_\_ Customer \_\_\_\_\_ Architect/Engineer \_\_\_\_\_



Performance Through Stainless!

43 South Linden Ave South San Francisco CA 94080 Ph (650) 589-4231 Fax (650) 589-3981 www.berlinusa.com