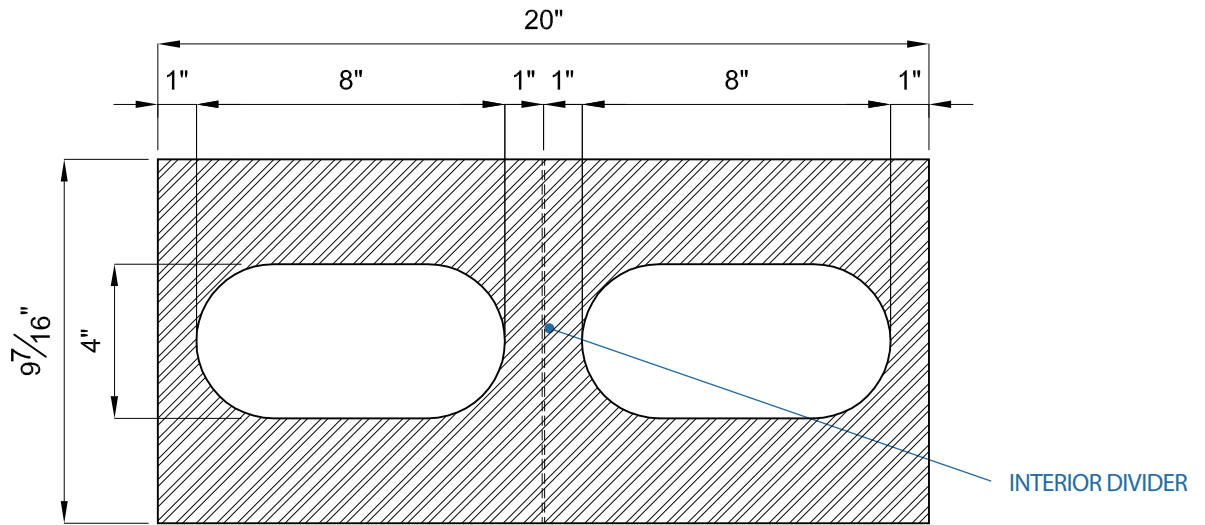
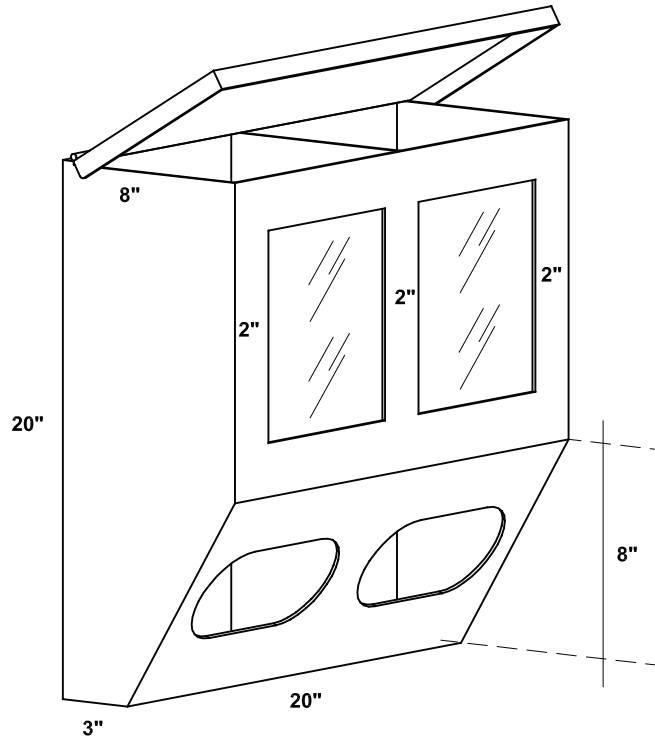


Made in the US since 1941

# WALL MOUNT GLOVE & HAIRNET DISPENSER

MODEL NO. WM-QRS49 | DWG NO. 04742



USE FOR ARCHITECT / ENGINEER / CONTRACTOR APPROVAL

Job name \_\_\_\_\_

Date \_\_\_\_\_ QTY \_\_\_\_\_ Contractor \_\_\_\_\_

Model No. \_\_\_\_\_ Customer \_\_\_\_\_ Architect/Engineer \_\_\_\_\_



Performance Through Stainless!

43 South Linden Ave South San Francisco CA 94080 Ph (650) 589-4231 Fax (650) 589-3981 www.berlinusa.com