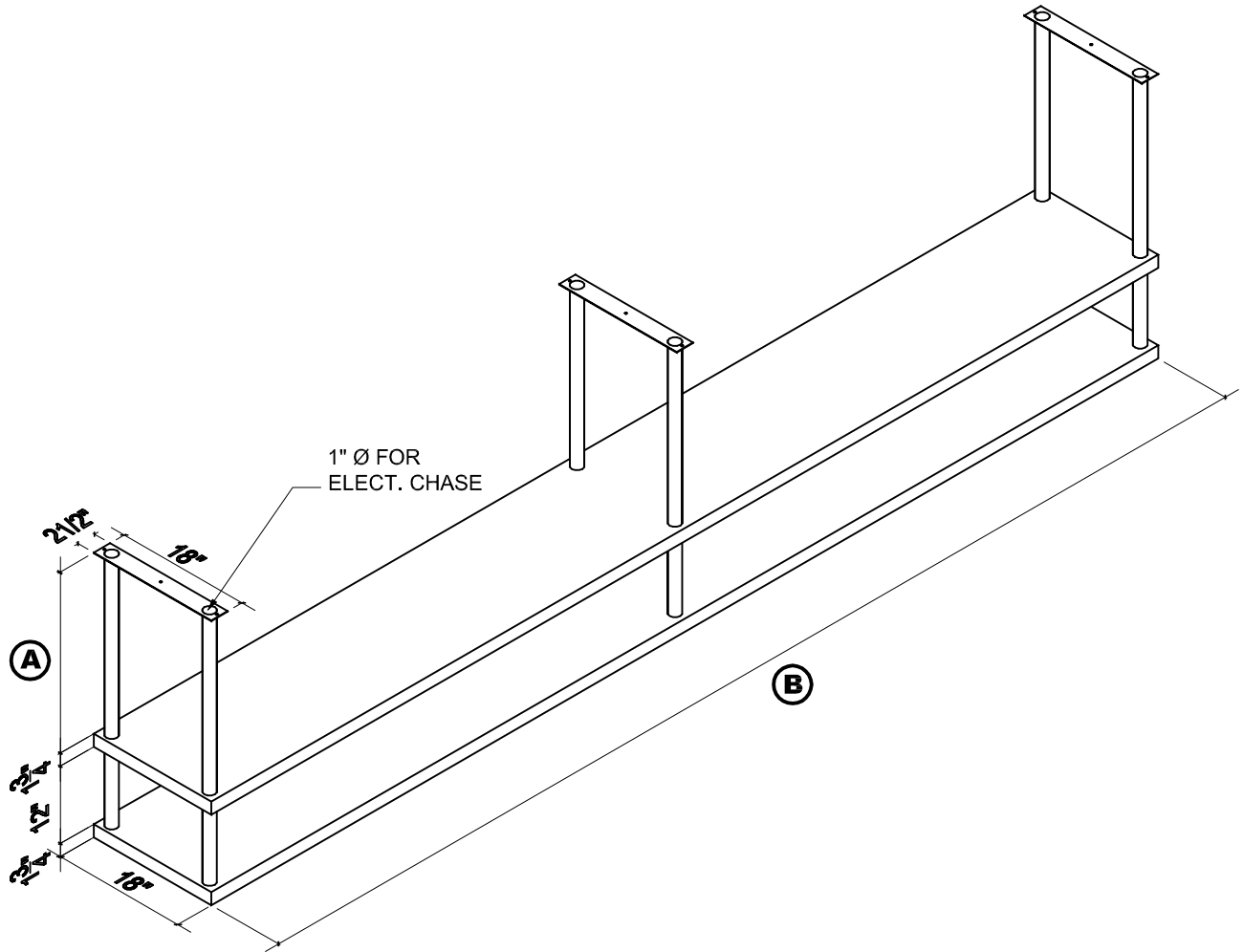


Made in the US since 1941

CEILING MTD SHELVES

STA - PRO CMS SERIES

T-304 N.S.F.
CONSTRUCTION



SPECIFICATIONS

- 16GA T-304 SSTAINLESS STEEL CONSTRUCTION
- #4 FINISH
- EDGES TURNED DOWN 1.75"
- POSTS ARE 1-5/8" O.D. STAINLESS STEEL TUBE WELDED TO SHELVES
- SHELVES REINFORCED WITH STAINLESS STEEL CHANNELS
- 14GA STAINLESS STEEL WELDED PLATES FOR CEILING MOUNTING PADS

USE FOR ARCHITECT / ENGINEER / CONTRACTOR APPROVAL

Job name _____

Date _____ QTY _____ Contractor _____

Model No. _____ Customer _____ Architect/Engineer _____



Performance Through Stainless!

43 South Linden Ave South San Francisco CA 94080 Ph (650) 589-4231 Fax (650) 589-3981 www.berlinusa.com