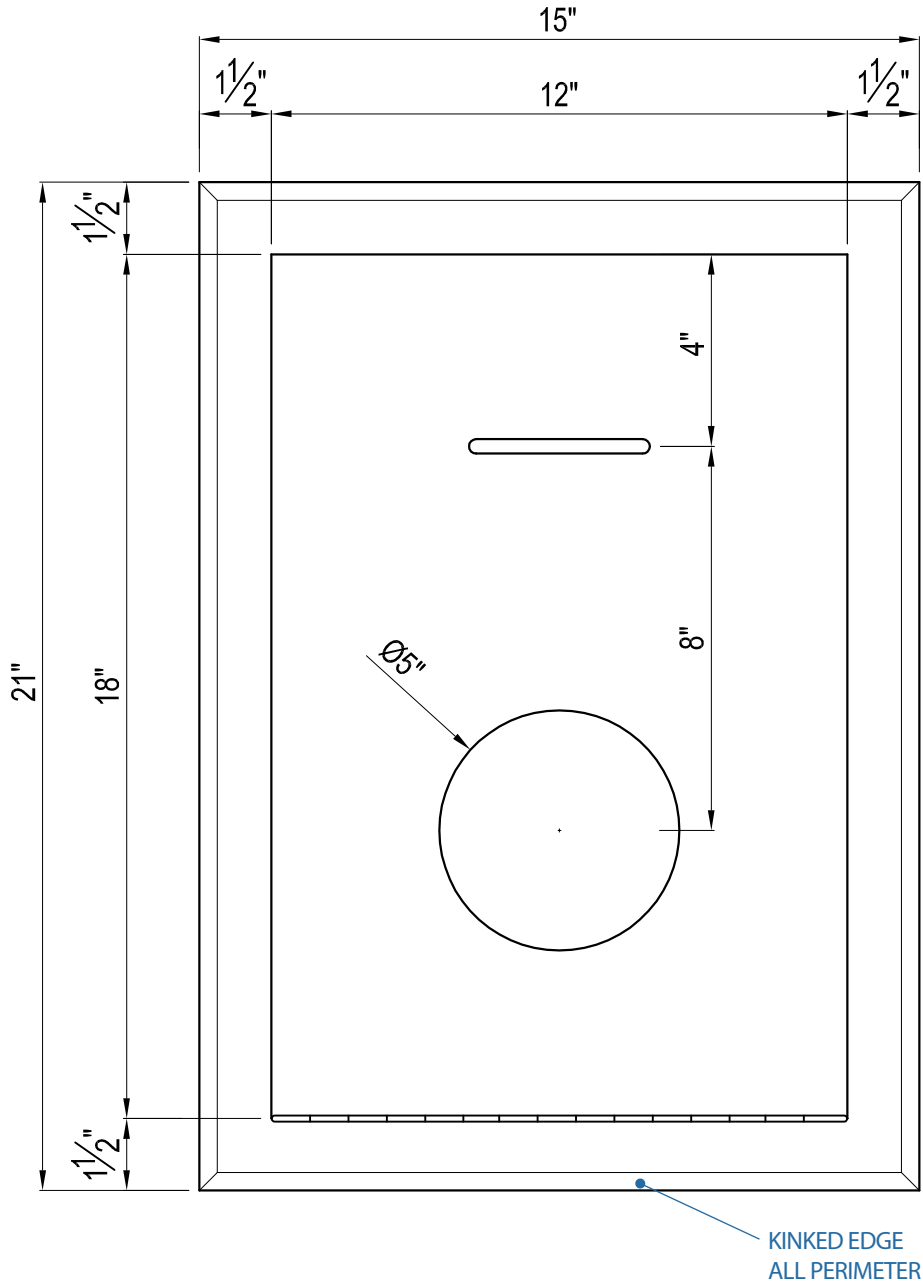


Made in the US since 1941

S/S RECESSED DISPENSER CLEAN ROOM

MODEL: EGH-43R



FRONT VIEW

SCALE: 3"=1'-0"

USE FOR ARCHITECT / ENGINEER / CONTRACTOR APPROVAL

Job name _____

Date _____ QTY _____ Contractor _____

Model No. _____ Customer _____ Architect/Engineer _____



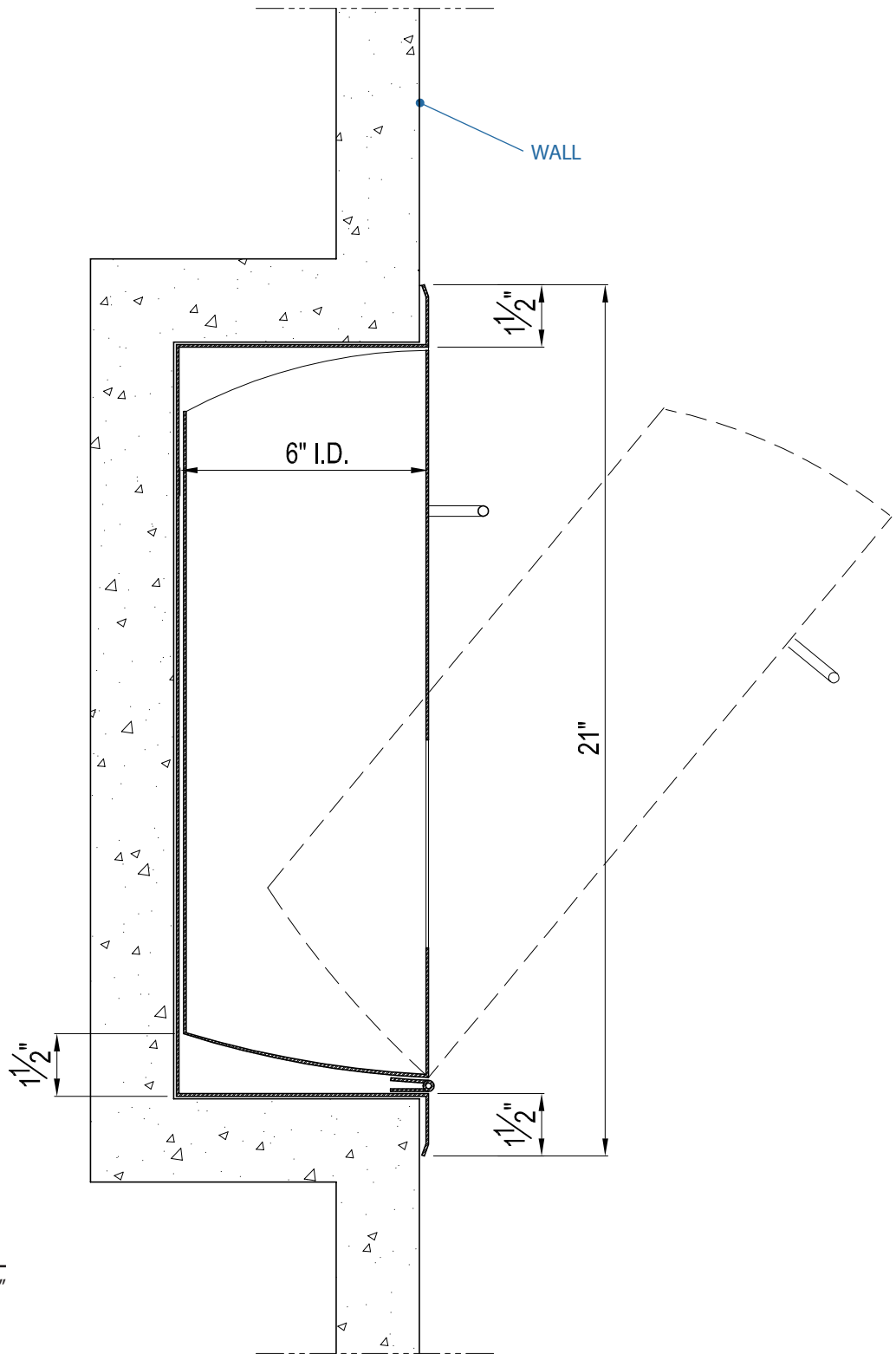
Performance Through Stainless!

43 South Linden Ave South San Francisco CA 94080 Ph (650) 589-4231 Fax (650) 589-3981 www.berlinusa.com

Made in the US since 1941

S/S RECESSED DISPENSER CLEAN ROOM

MODEL: EGH-43R



SECTION

SCALE: 3"=1'-0"

USE FOR ARCHITECT / ENGINEER / CONTRACTOR APPROVAL

Job name _____

Date _____ QTY _____ Contractor _____

Model No. _____ Customer _____ Architect/Engineer _____



Performance Through Stainless!

43 South Linden Ave South San Francisco CA 94080 Ph (650) 589-4231 Fax (650) 589-3981 www.berlinusa.com