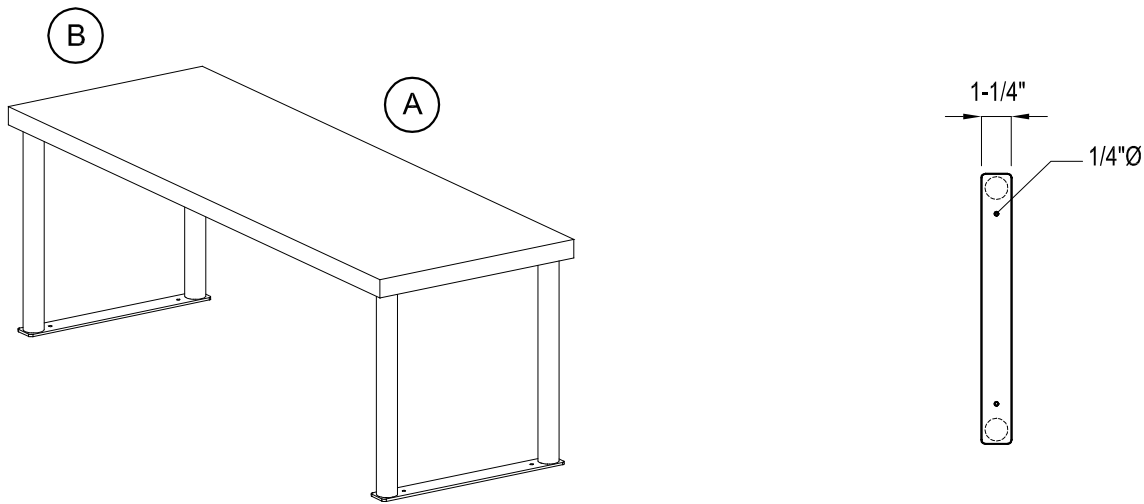


MADE IN
THE U.S.A.
CERTIFIED
TO ANSI

SPECIFICATIONS

STA - PRO TS - 1 SERIES TABLE SHELVES ARE CONSTRUCTED OF 16 GAUGE T -304 STAINLESS STEEL WITH A # 4 FINISH. EDGES ARE TURNED DOWN 1.75" . POSTS ARE 1" O.D. STAINLESS STEEL TUBE WITH INTERNAL THREADED FASTENERS AT THE BOTTOM TO ALLOW BOLTING SHELF TO TABLE TOPS FROM BELOW. SHELF IS REINFORCED WITH S/S HAT CHANNELS. OPTIONAL MOUNTING PADS OR SPECIAL BRACKETS CAN BE SUPPLIED. SPECIFY THE LENGTH (A) AND THEN THE SERIES REQUIRED FOLLOWED BY THE FRONT TO BACK (B) MEASUREMENT.

HEAVY DUTY STAINLESS STEEL TABLE MTD SHELVES



MOD: _____ TS-1 _____
A B

SHELF LENGTH	FRONT TO BACK MEASUREMENT					
	12" SHELVING		14" SHELVING		16" SHELVING	
	LIST	WT.	LIST	WT.	LIST	WT.
2'	\$ 302.00	24	\$ 389.00	27	\$ 397.00	30
3'	\$ 406.00	28	\$ 417.00	31	\$ 428.00	34
4'	\$ 428.00	32	\$ 442.00	35	\$ 456.00	38
5'	\$ 456.00	36	\$ 476.00	39	\$ 495.00	42
6'	\$ 487.00	40	\$ 506.00	43	\$ 526.00	46
7'	\$ 613.00	51	\$ 635.00	54	\$ 658.00	57
8'	\$ 641.00	55	\$ 669.00	58	\$ 697.00	61
9'	\$ 669.00	59	\$ 702.00	62	\$ 736.00	65
10'	\$ 700.00	63	\$ 733.00	66	\$ 767.00	69
11'	\$ 728.00	67	\$ 770.00	70	\$ 812.00	73
12'	\$ 758.00	71	\$ 798.00	73	\$ 837.00	76

USE FOR ARCHITECT / ENGINEER / CONTRACTOR APPROVAL

JOB NAME _____ DATE _____

MODEL No. _____ QTY _____

CUSTOMER _____

CONTRACTOR _____

ARCHITECT / ENGINEER _____

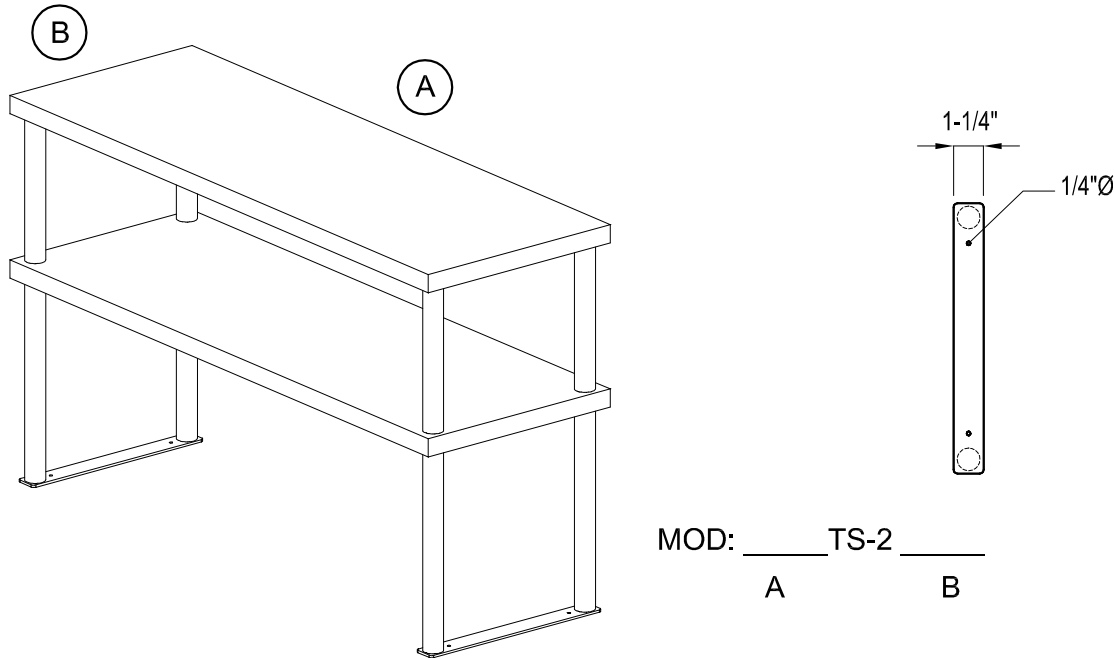


MADE IN
THE U.S.A
CERTIFIED
TO ANSI

SPECIFICATIONS

TS - 1 SERIES TABLE SHELVES ARE CONSTRUCTED OF 16 GAUGE T -304 STAINLESS STEEL WITH A # 4 FINISH. EDGES ARE TURNED DOWN 1.50" . POSTS ARE 1" O.D. STAINLESS STEEL TUBE WITH INTERNAL THREADED FASTENERS AT THE BOTTOM TO ALLOW BOLTING SHELF TO TABLE TOPS FROM BELOW. SHELF IS REINFORCED WITH S/S HAT CHANNELS. OPTIONAL MOUNTING PADS OR SPECIAL BRACKETS CAN BE SUPPLIED. SPECIFY THE LENGTH (A) AND THEN THE SERIES REQUIRED FOLLOWED BY THE FRONT TO BACK (B) MEASUREMENT.

HEAVY DUTY STAINLESS STEEL TABLE MTD SHELVES



SHELF LENGTH	FRONT TO BACK MEASUREMENT					
	12" SHELVING		14" SHELVING		16" SHELVING	
	LIST	WT.	LIST	WT.	LIST	WT.
2'	\$ 543.00	46	\$ 571.00	54	\$ 613.00	62
3'	\$ 599.00	54	\$ 627.00	62	\$ 669.00	70
4'	\$ 655.00	62	\$ 683.00	70	\$ 711.00	78
5'	\$ 711.00	70	\$ 744.00	78	\$ 778.00	86
6'	\$ 767.00	78	\$ 808.00	86	\$ 851.00	94
7'	\$ 943.00	94	\$ 994.00	102	\$ 1,044.00	110
8'	\$ 999.00	102	\$ 1,055.00	110	\$ 1,111.00	118
9'	\$ 1,055.00	110	\$ 1,120.00	118	\$ 1,184.00	126
10'	\$ 1,111.00	118	\$ 1,181.00	126	\$ 1,251.00	134
11'	\$ 1,167.00	126	\$ 1,243.00	134	\$ 1,318.00	142
12'	\$ 1,223.00	134	\$ 1,307.00	142	\$ 1,394.00	150

USE FOR ARCHITECT / ENGINEER / CONTRACTOR APPROVAL

JOB NAME _____ DATE _____

MODEL No. _____ QTY _____

CUSTOMER _____

CONTRACTOR _____

ARCHITECT / ENGINEER _____



MADE IN THE U.S.A. CERTIFIED TO ANSI

SPECIFICATIONS

TS - 2 SERIES TABLE SHELVES ARE CONSTRUCTED OF 16 GAUGE T -304 STAINLESS STEEL WITH A # 4 FINISH. EDGES ARE TURNED DOWN 1.50" . POSTS ARE 1" O.D. STAINLESS STEEL TUBE WITH INTERNAL THREADED FASTENERS AT THE BOTTOM TO ALLOW BOLTING SHELF TO TABLE TOPS FROM BELOW. EACH SHELF IS REINFORCED WITH S/S HAT CHANNELS. OPTIONAL MOUNTING PADS OR SPECIAL BRACKETS CAN BE SUPPLIED. SPECIFY THE LENGTH (A) AND THEN THE SERIES REQUIRED FOLLOWED BY THE FRONT TO BACK (B) MEASUREMENT.