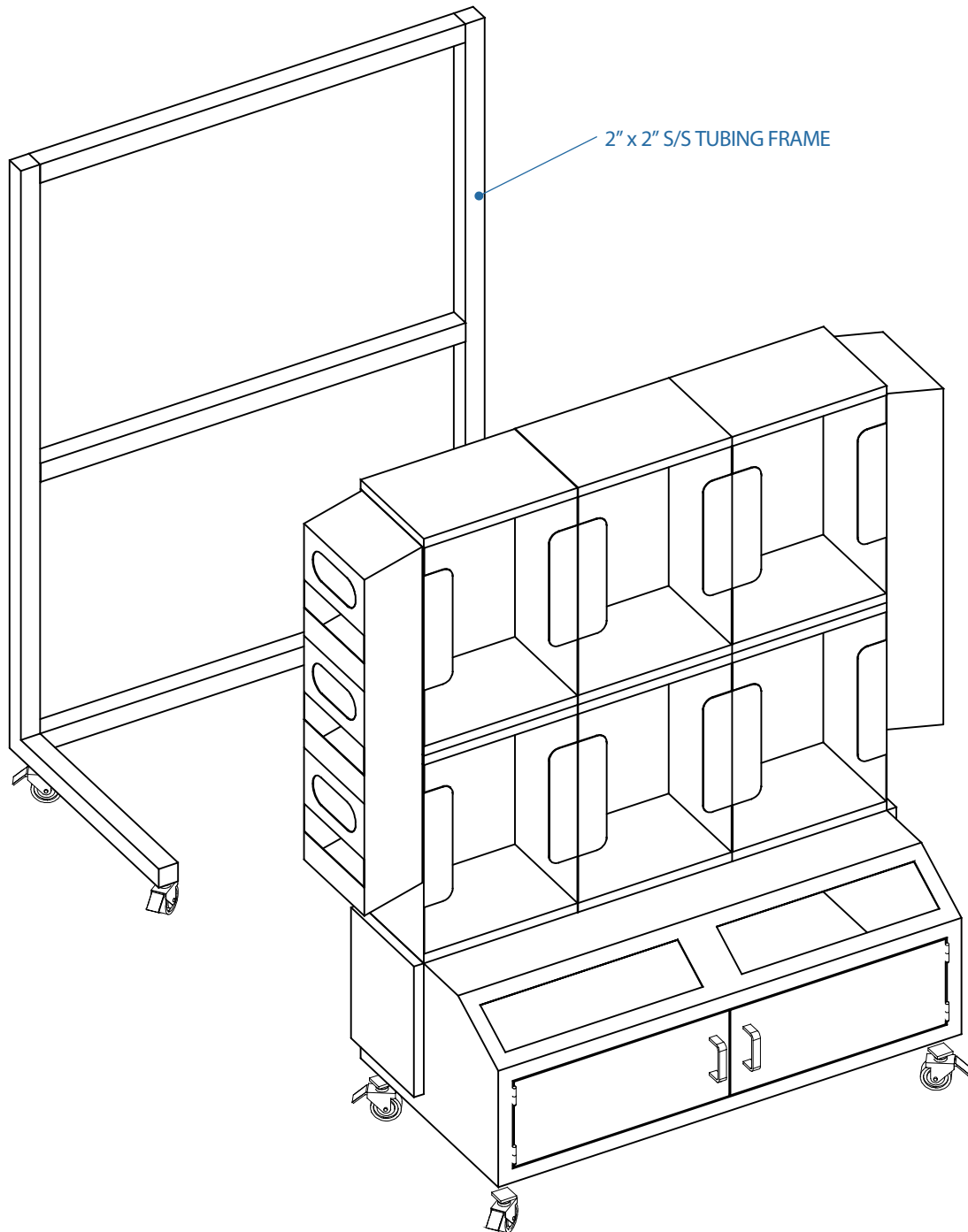


Made in the US since 1941

# MOBILE CLEAN ROOM GOWNING STATION

16 GA. #4 FINISH T-304 S/S CONSTRUCTION | 316 & 316 L AVAILABLE

T-304 N.S.F.  
CONSTRUCTION



USE FOR ARCHITECT / ENGINEER / CONTRACTOR APPROVAL

Job name \_\_\_\_\_

Date \_\_\_\_\_ QTY \_\_\_\_\_ Contractor \_\_\_\_\_

Model No. \_\_\_\_\_ Customer \_\_\_\_\_ Architect/Engineer \_\_\_\_\_



Performance Through Stainless!

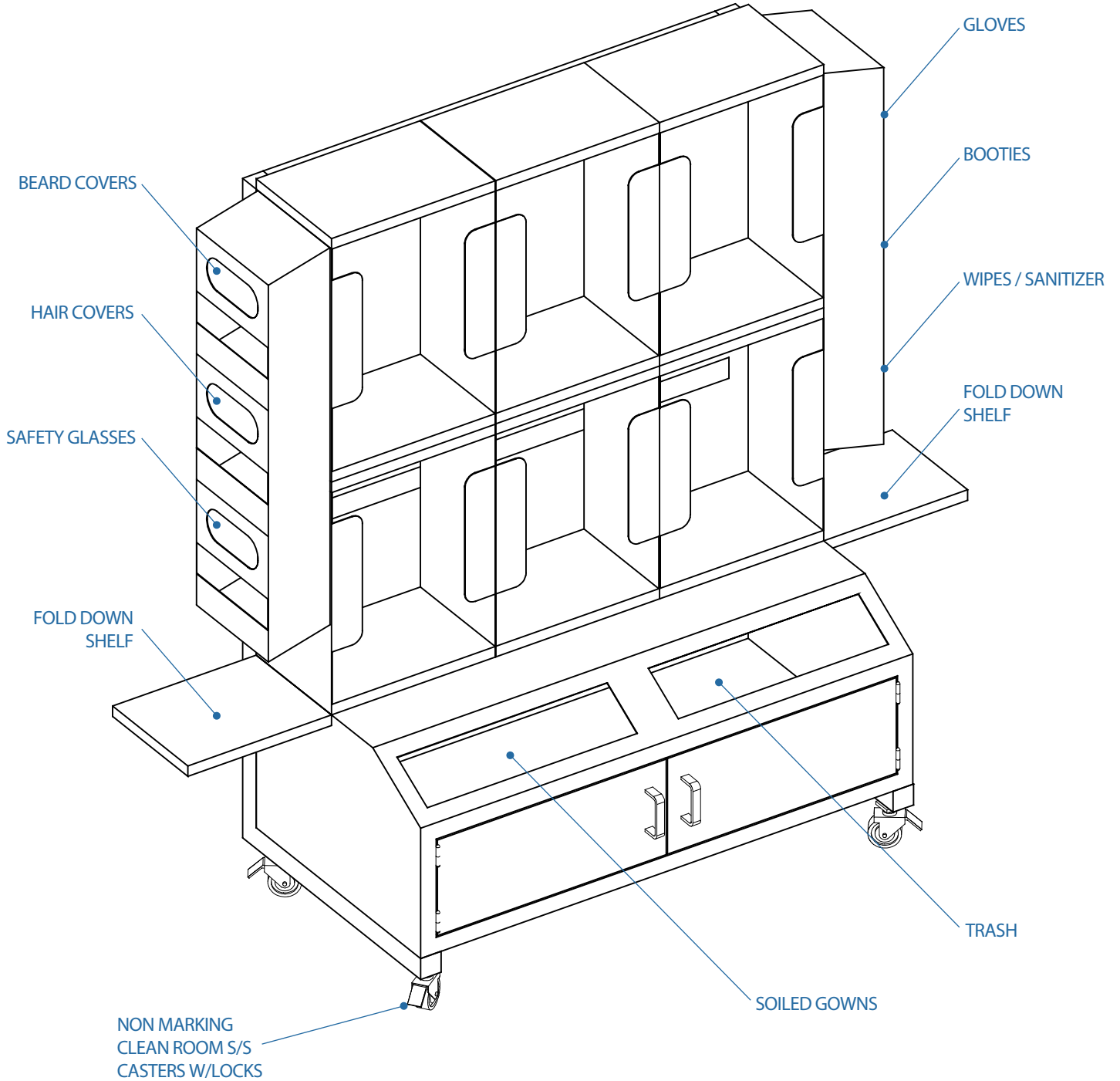
43 South Linden Ave South San Francisco CA 94080 Ph (650) 589-4231 Fax (650) 589-3981 www.berlinusa.com

Made in the US since 1941

# MOBILE CLEAN ROOM GOWNING STATION

16 GA. #4 FINISH T-304 S/S CONSTRUCTION | 316 & 316 L AVAILABLE

T-304 N.S.F.  
CONSTRUCTION



USE FOR ARCHITECT / ENGINEER / CONTRACTOR APPROVAL

Job name \_\_\_\_\_

Date \_\_\_\_\_ QTY \_\_\_\_\_ Contractor \_\_\_\_\_

Model No. \_\_\_\_\_ Customer \_\_\_\_\_ Architect/Engineer \_\_\_\_\_



## Performance Through Stainless!

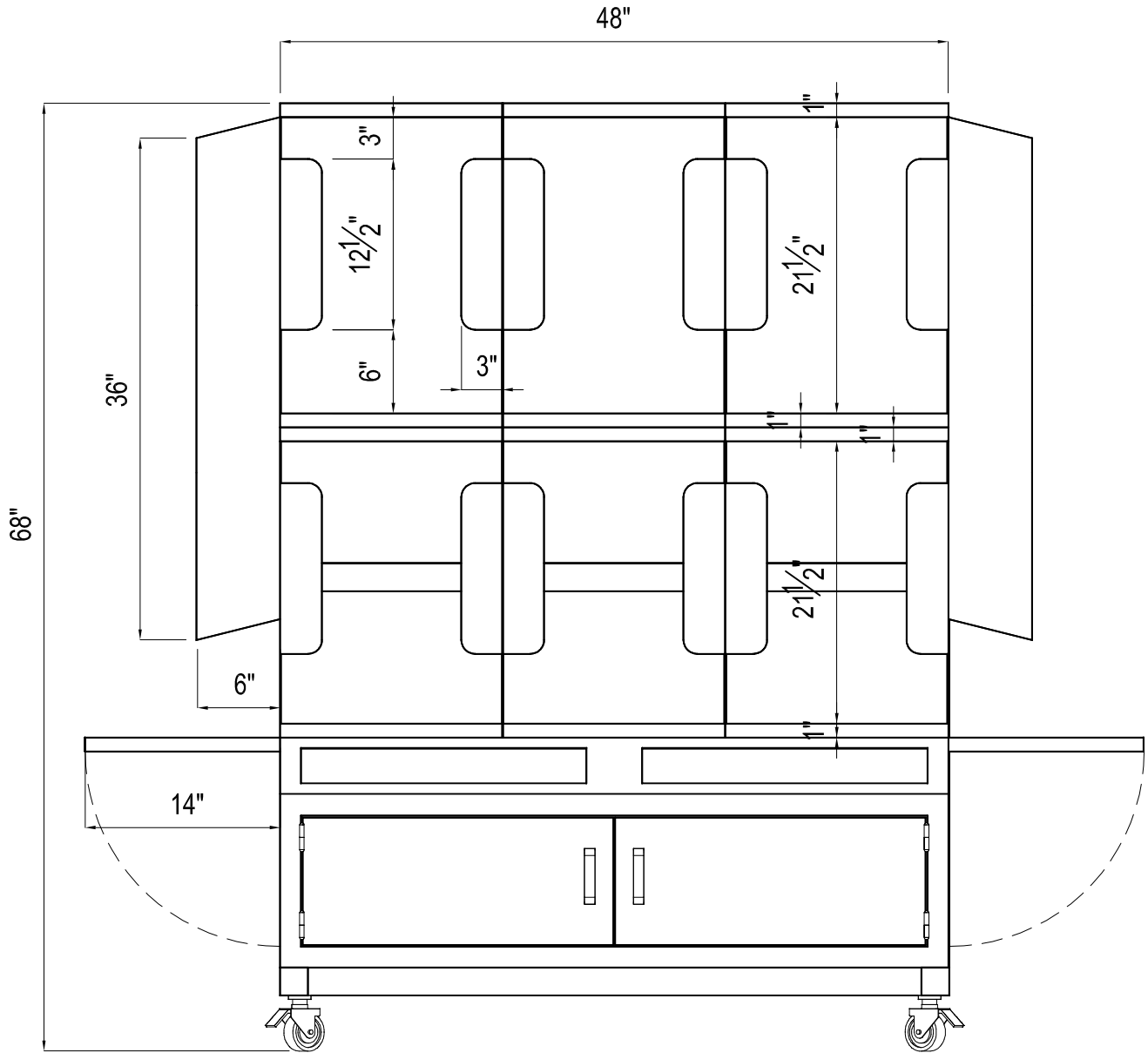
43 South Linden Ave South San Francisco CA 94080 Ph (650) 589-4231 Fax (650) 589-3981 www.berlinusa.com

Made in the US since 1941

# MOBILE CLEAN ROOM GOWNING STATION

16 GA. #4 FINISH T-304 S/S CONSTRUCTION | 316 & 316 L AVAILABLE

T-304 N.S.F.  
CONSTRUCTION



FRONT VIEW

USE FOR ARCHITECT / ENGINEER / CONTRACTOR APPROVAL

Job name \_\_\_\_\_

Date \_\_\_\_\_ QTY \_\_\_\_\_ Contractor \_\_\_\_\_

Model No. \_\_\_\_\_ Customer \_\_\_\_\_ Architect/Engineer \_\_\_\_\_



Performance Through Stainless!

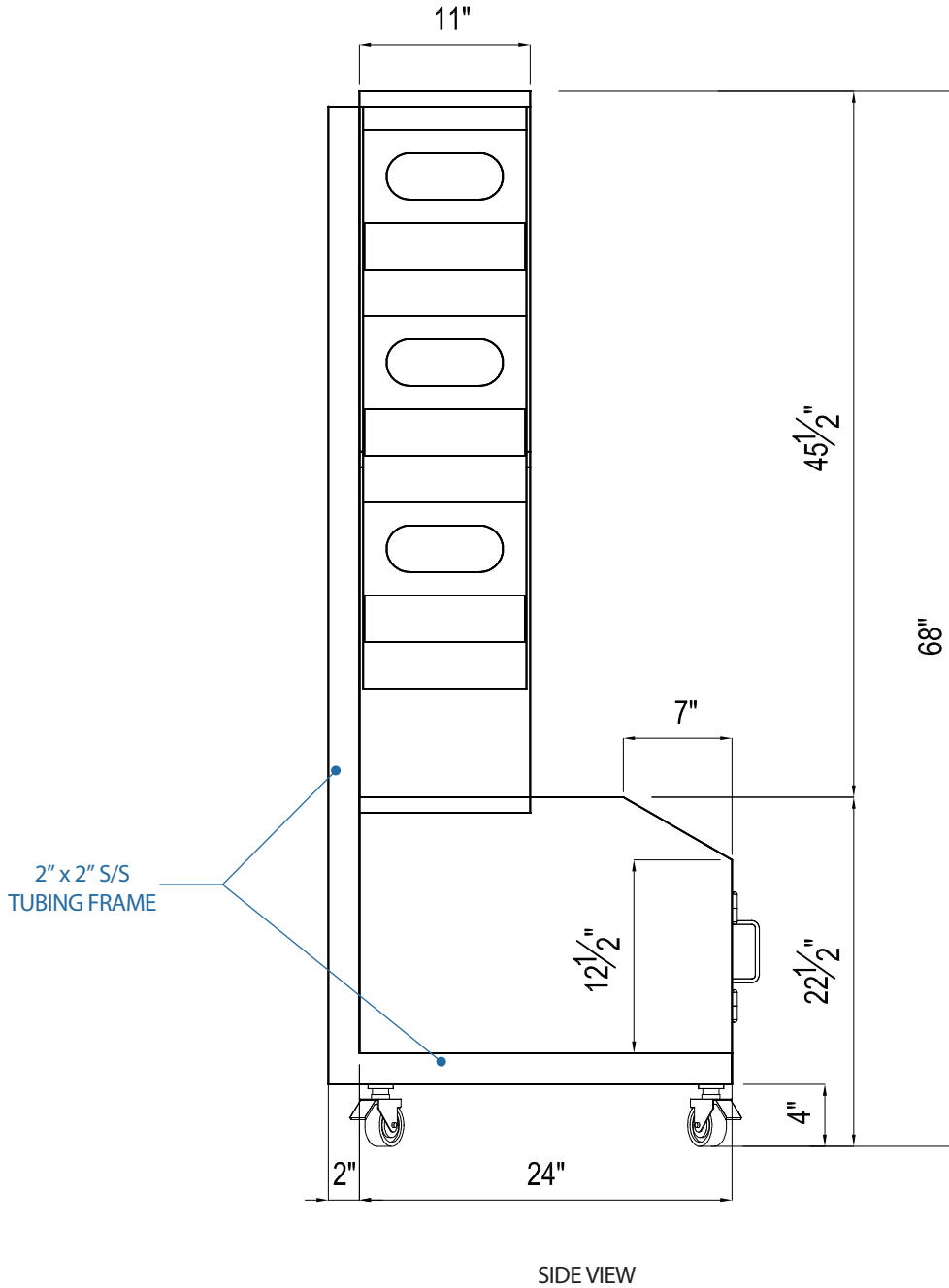
43 South Linden Ave South San Francisco CA 94080 Ph (650) 589-4231 Fax (650) 589-3981 www.berlinusa.com

Made in the US since 1941

# MOBILE CLEAN ROOM GOWNING STATION

16 GA. #4 FINISH T-304 S/S CONSTRUCTION | 316 & 316 L AVAILABLE

T-304 N.S.F.  
CONSTRUCTION



USE FOR ARCHITECT / ENGINEER / CONTRACTOR APPROVAL

Job name \_\_\_\_\_

Date \_\_\_\_\_ QTY \_\_\_\_\_ Contractor \_\_\_\_\_

Model No. \_\_\_\_\_ Customer \_\_\_\_\_ Architect/Engineer \_\_\_\_\_



## Performance Through Stainless!

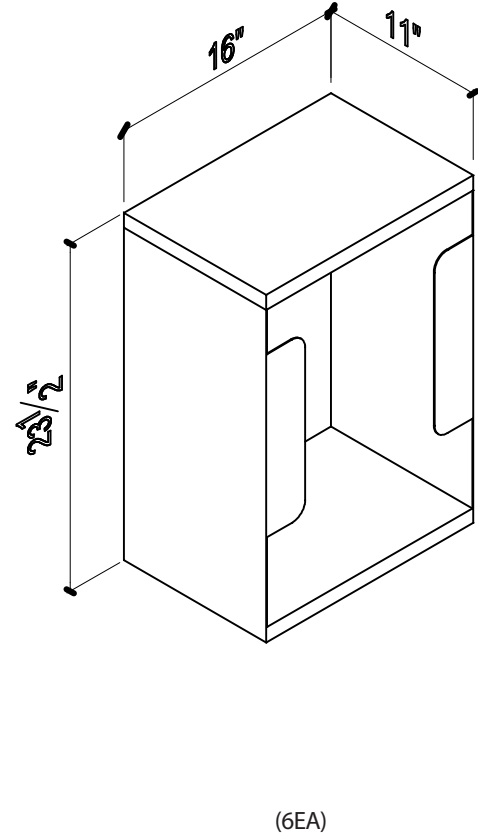
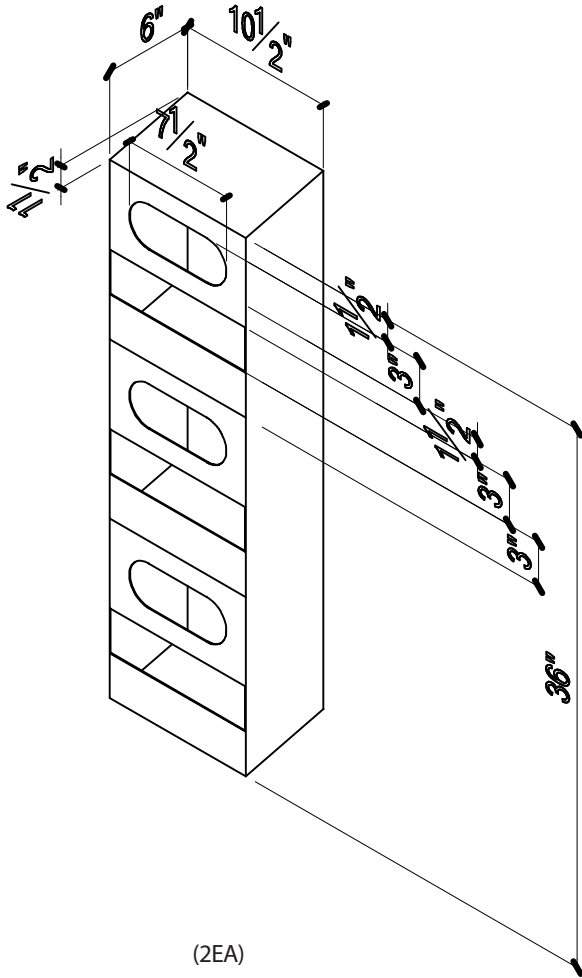
43 South Linden Ave South San Francisco CA 94080 Ph (650) 589-4231 Fax (650) 589-3981 www.berlinusa.com

Made in the US since 1941

# MOBILE CLEAN ROOM GOWNING STATION

16 GA. #4 FINISH T-304 S/S CONSTRUCTION | 316 & 316 L AVAILABLE

T-304 N.S.F.  
CONSTRUCTION



USE FOR ARCHITECT / ENGINEER / CONTRACTOR APPROVAL

Job name \_\_\_\_\_

Date \_\_\_\_\_ QTY \_\_\_\_\_ Contractor \_\_\_\_\_

Model No. \_\_\_\_\_ Customer \_\_\_\_\_ Architect/Engineer \_\_\_\_\_



## Performance Through Stainless!

43 South Linden Ave South San Francisco CA 94080 Ph (650) 589-4231 Fax (650) 589-3981 www.berlinusa.com