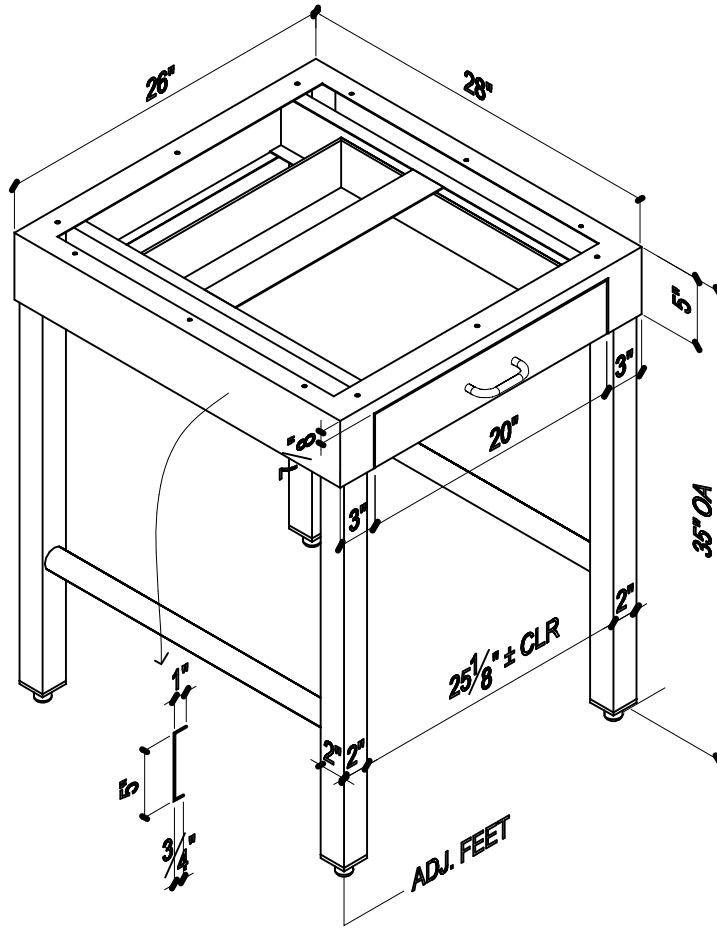


CLEAN ROOM TABLE BASES WITH DRAWERS



T-304 N.S.F.
CONSTRUCTION



SPECIFICATIONS

- 2 PIECE CONSTRUCTION AVAILABLE
- ADJUSTABLE POLY PRO PIVOTING FEET
- 16 GA T-304, #4 FINISH (T-316 AVAILABLE)
- 2" HEAVY DUTY STAINLESS STEEL SQUARE TUBE LEGS
- 1-5/8" ROUND STAINLESS STEEL CROSS BRACING

USE FOR ARCHITECT / ENGINEER / CONTRACTOR APPROVAL

Job name _____

Date _____ QTY _____ Contractor _____

Model No. _____ Customer _____ Architect/Engineer _____



Performance Through Stainless!

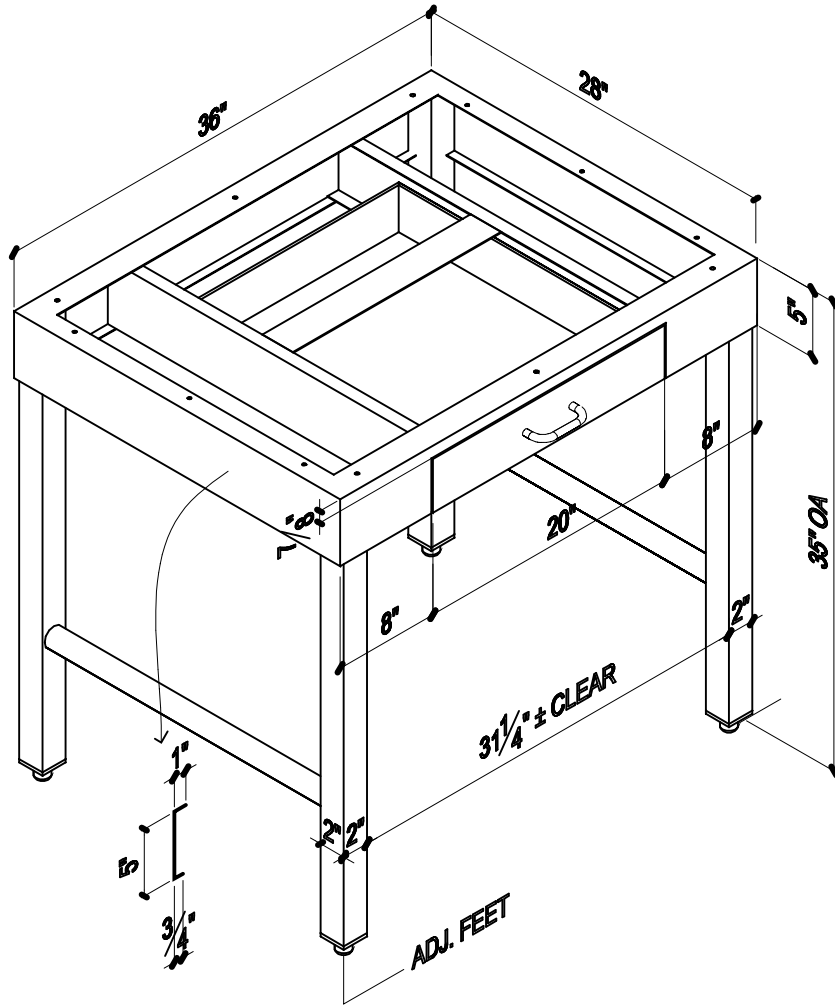
43 South Linden Ave South San Francisco CA 94080 Ph (650) 589-4231 Fax (650) 589-3981 www.berlinusa.com

Made in the US since 1941

CLEAN ROOM TABLE BASES WITH DRAWERS



T-304 N.S.F.
CONSTRUCTION



SPECIFICATIONS

- 2 PIECE CONSTRUCTION AVAILABLE
- ADJUSTABLE POLY PRO PIVOTING FEET
- 16 GA T-304, #4 FINISH (T-316 AVAILABLE)
- 2" HEAVY DUTY STAINLESS STEEL SQUARE TUBE LEGS
- 1-5/8" ROUND STAINLESS STEEL CROSS BRACING

USE FOR ARCHITECT / ENGINEER / CONTRACTOR APPROVAL

Job name _____

Date _____ QTY _____ Contractor _____

Model No. _____ Customer _____ Architect/Engineer _____



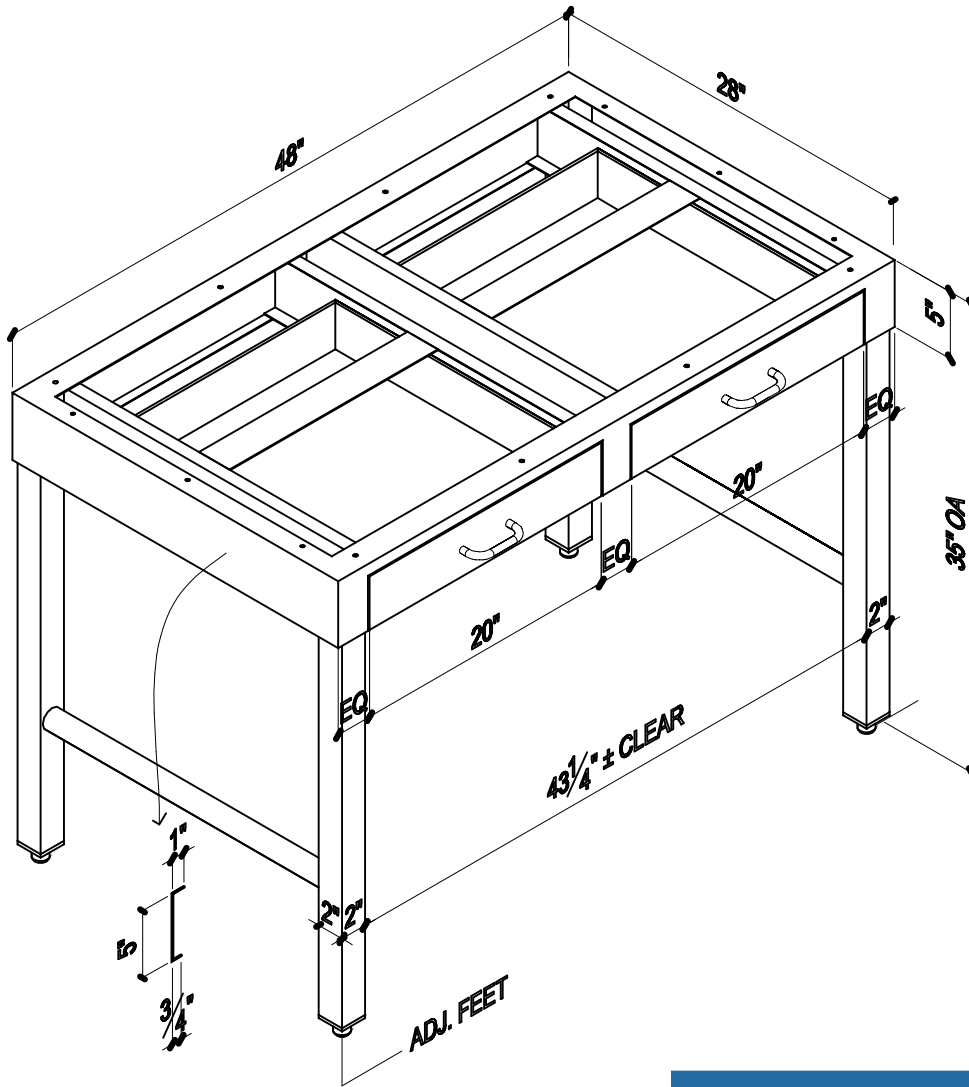
Performance Through Stainless!

43 South Linden Ave South San Francisco CA 94080 Ph (650) 589-4231 Fax (650) 589-3981 www.berlinusa.com

CLEAN ROOM TABLE BASES WITH DRAWERS



T-304 N.S.F.
CONSTRUCTION



SPECIFICATIONS

- 2 PIECE CONSTRUCTION AVAILABLE
- ADJUSTABLE POLY PRO PIVOTING FEET
- 16 GA T-304 #4 FINISH (T-316 AVAILABLE)
- 2" HEAVY DUTY STAINLESS STEEL SQUARE TUBE LEGS
- 1-5/8" ROUND STAINLESS STEEL CROSS BRACING

USE FOR ARCHITECT / ENGINEER / CONTRACTOR APPROVAL

Job name _____

Date _____ QTY _____ Contractor _____

Model No. _____ Customer _____ Architect/Engineer _____



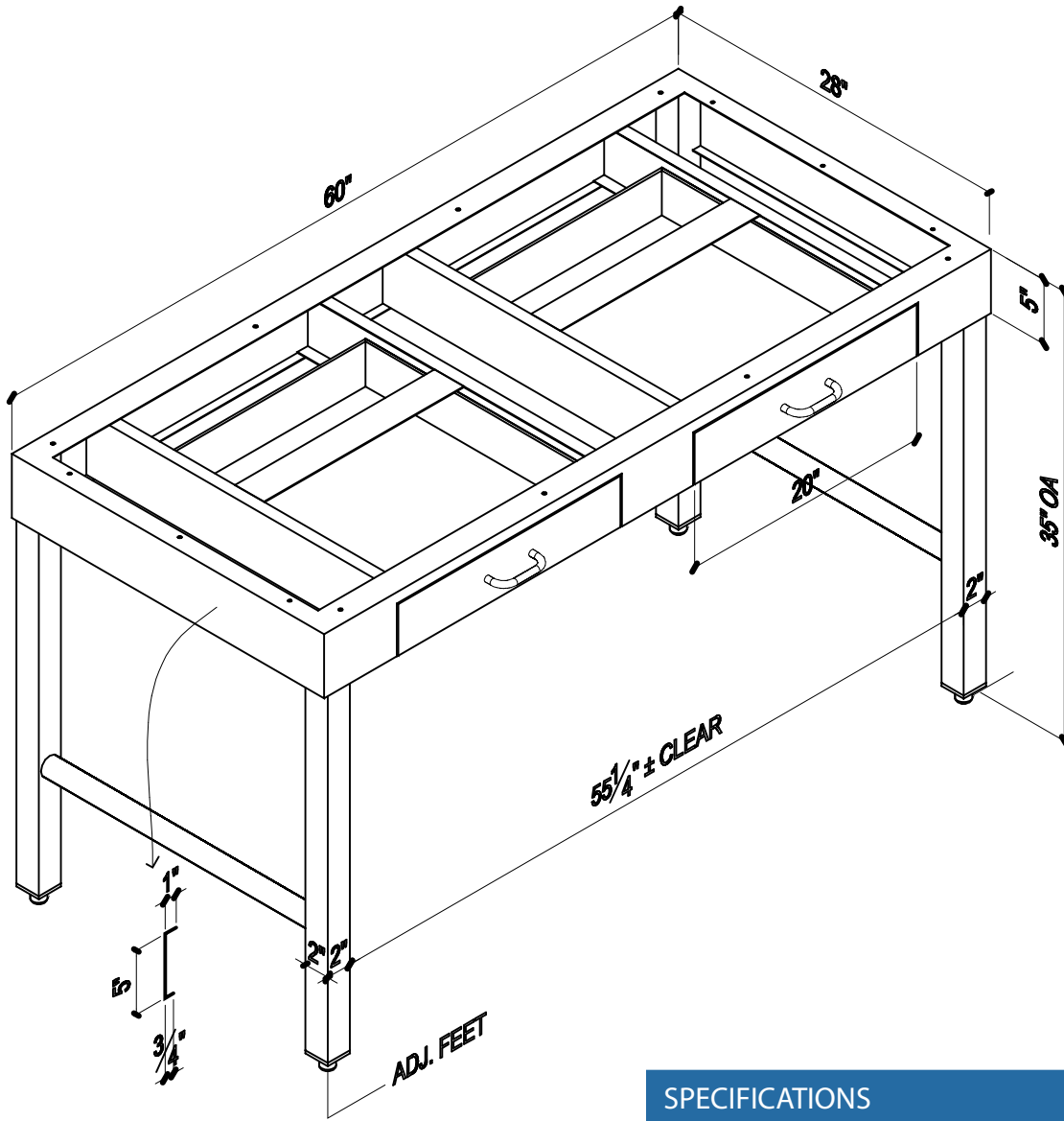
Performance Through Stainless!

43 South Linden Ave South San Francisco CA 94080 Ph (650) 589-4231 Fax (650) 589-3981 www.berlinusa.com

CLEAN ROOM TABLE BASES WITH DRAWERS



T-304 N.S.F.
CONSTRUCTION



SPECIFICATIONS

- 2 PIECE CONSTRUCTION AVAILABLE
- ADJUSTABLE POLY PRO PIVOTING FEET
- 16 GA T-304 #4 FINISH (T-316 AVAILABLE)
- 2" HEAVY DUTY STAINLESS STEEL SQUARE TUBE LEGS
- 1-5/8" ROUND STAINLESS STEEL CROSS BRACING

USE FOR ARCHITECT / ENGINEER / CONTRACTOR APPROVAL

Job name _____

Date _____ QTY _____ Contractor _____

Model No. _____ Customer _____ Architect/Engineer _____



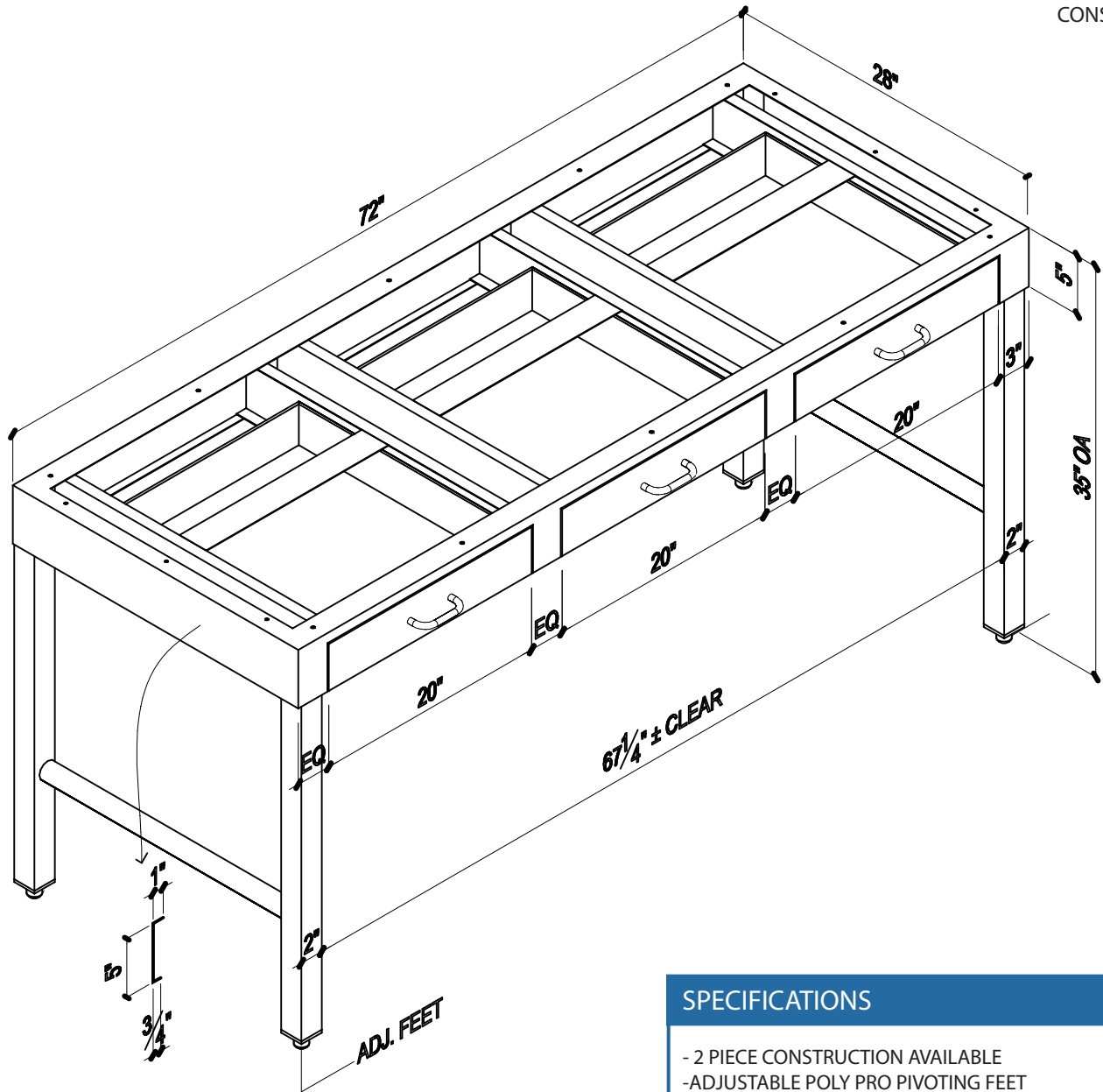
Performance Through Stainless!

43 South Linden Ave South San Francisco CA 94080 Ph (650) 589-4231 Fax (650) 589-3981 www.berlinusa.com

CLEAN ROOM TABLE BASES WITH DRAWERS



T-304 N.S.F.
CONSTRUCTION



SPECIFICATIONS

- 2 PIECE CONSTRUCTION AVAILABLE
- ADJUSTABLE POLY PRO PIVOTING FEET
- 16 GA T-304 #4 FINISH (T-316 AVAILABLE)
- 2" HEAVY DUTY STAINLESS STEEL SQUARE TUBE LEGS
- 1-5/8" ROUND STAINLESS STEEL CROSS BRACING

USE FOR ARCHITECT / ENGINEER / CONTRACTOR APPROVAL

Job name _____

Date _____ QTY _____ Contractor _____

Model No. _____ Customer _____ Architect/Engineer _____



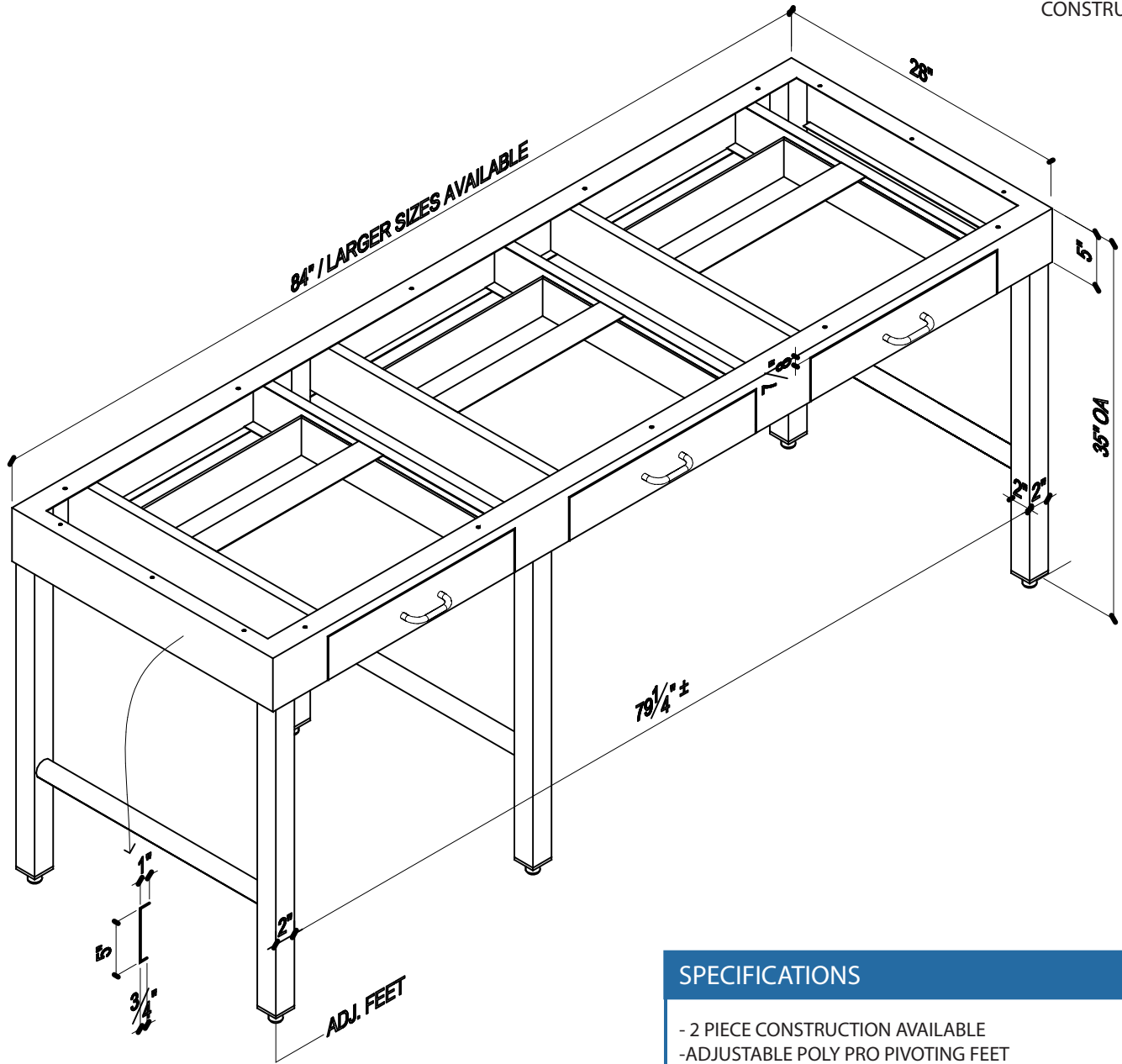
Performance Through Stainless!

43 South Linden Ave South San Francisco CA 94080 Ph (650) 589-4231 Fax (650) 589-3981 www.berlinusa.com

CLEAN ROOM TABLE BASES WITH DRAWERS



T-304 N.S.F.
CONSTRUCTION



SPECIFICATIONS

- 2 PIECE CONSTRUCTION AVAILABLE
- ADJUSTABLE POLY PRO PIVOTING FEET
- 16 GA T-304 #4 FINISH (T-316 AVAILABLE)
- 2" HEAVY DUTY STAINLESS STEEL SQUARE TUBE LEGS
- 1-5/8" ROUND STAINLESS STEEL CROSS BRACING

USE FOR ARCHITECT / ENGINEER / CONTRACTOR APPROVAL

Job name _____

Date _____ QTY _____ Contractor _____

Model No. _____ Customer _____ Architect/Engineer _____



Performance Through Stainless!

43 South Linden Ave South San Francisco CA 94080 Ph (650) 589-4231 Fax (650) 589-3981 www.berlinusa.com