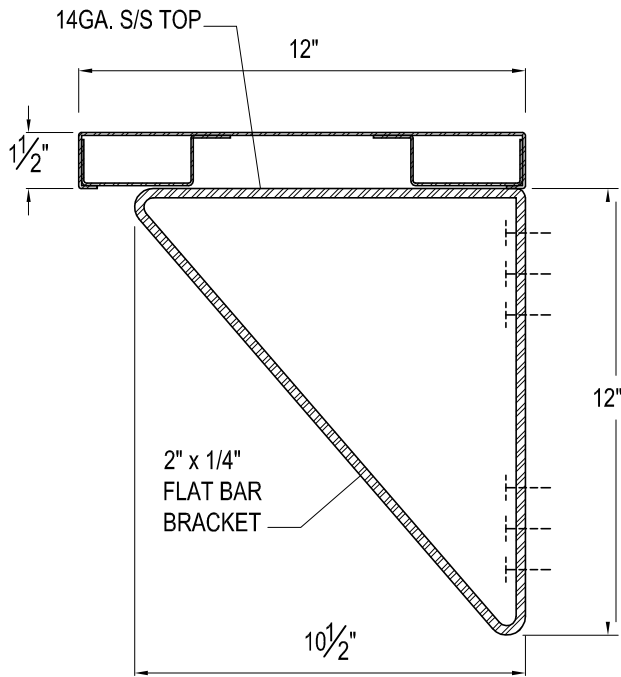


Made in the US since 1941

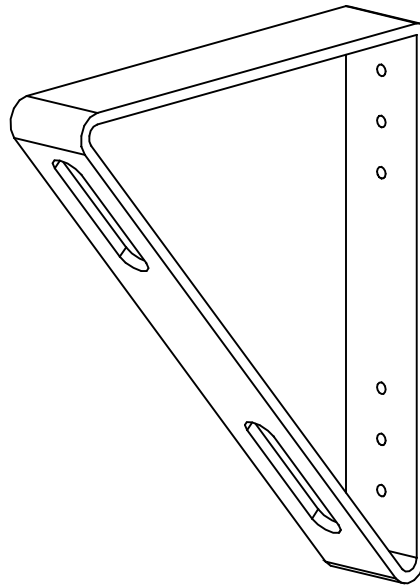
HEAVY DUTY WALL MOUNT BENCH BRACKETS

Model: GWM



(2EA) GWM-43 12" X 5'-6" LONG

(2EA) GWM-44 12" X 7" LONG



USE FOR ARCHITECT / ENGINEER / CONTRACTOR APPROVAL

Job name _____

Date _____ QTY _____ Contractor _____

Model No. _____ Customer _____ Architect/Engineer _____



Performance Through Stainless!

43 South Linden Ave South San Francisco CA 94080 Ph (650) 589-4231 Fax (650) 589-3981 www.berlinusa.com